

## ELECTORAL ROLL 2026 S05 Goa

No. Name and Reservation Status of Assembly Constituency : 23 - MARCAIM (GEN)	Part No. : 26
---	---------------

No. Name and Reservation Status of Parliamentary Constituency(ies) in which the Assembly Constituency is located : 2 - SOUTH GOA (GEN)
--

### 1. Details of Revision

<table style="width: 100%; border-collapse: collapse;"> <tr> <td style="width: 15%;"><b>Year of Revision</b></td> <td>2026</td> </tr> <tr> <td><b>Qualifying Date</b></td> <td>01-01-2026</td> </tr> <tr> <td><b>Type of revision</b></td> <td>Special Intensive Revision 2026</td> </tr> <tr> <td><b>Date of Updation</b></td> <td>21-02-2026</td> </tr> </table>	<b>Year of Revision</b>	2026	<b>Qualifying Date</b>	01-01-2026	<b>Type of revision</b>	Special Intensive Revision 2026	<b>Date of Updation</b>	21-02-2026	<p style="text-align: center;"><b>Roll Identification</b></p> <p>Integrated Electoral Roll based on the Draft Roll of Special Intensive Revision 2026 published on 16-12-2025 and integrated with Additions, Deletions and Modifications carried out during Special Intensive Revision 2026</p>
<b>Year of Revision</b>	2026								
<b>Qualifying Date</b>	01-01-2026								
<b>Type of revision</b>	Special Intensive Revision 2026								
<b>Date of Updation</b>	21-02-2026								

### 2. Details of part and polling area

<b>No. and name of sections in the part</b>  1-Undir, Bandora	<table style="width: 100%; border-collapse: collapse;"> <tr> <td style="width: 60%;">Main Town or Village</td> <td>: BANDORA</td> </tr> <tr> <td>Post Office</td> <td>: PONDA</td> </tr> <tr> <td>Police Station</td> <td>: PONDA</td> </tr> <tr> <td>Block</td> <td>: PONDA</td> </tr> <tr> <td>Subdivision</td> <td>: PONDA</td> </tr> <tr> <td>District</td> <td>: SOUTH GOA</td> </tr> <tr> <td>Pin code</td> <td>: 403401</td> </tr> </table>	Main Town or Village	: BANDORA	Post Office	: PONDA	Police Station	: PONDA	Block	: PONDA	Subdivision	: PONDA	District	: SOUTH GOA	Pin code	: 403401
Main Town or Village	: BANDORA														
Post Office	: PONDA														
Police Station	: PONDA														
Block	: PONDA														
Subdivision	: PONDA														
District	: SOUTH GOA														
Pin code	: 403401														

### 3. Polling station details

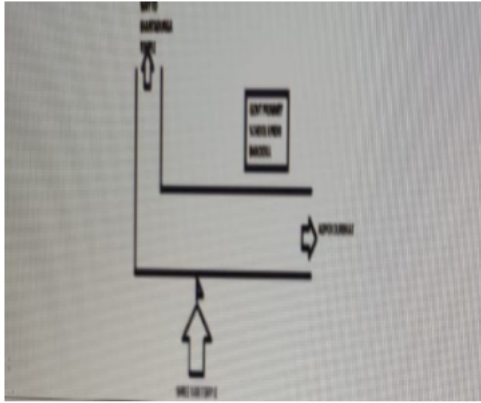
<b>No. and Name of Polling Station :</b> 26 - Government Primary School, Undir, Bandora	<b>Type of Polling Station (Male/Female/General)</b>	General
<b>Address of Polling Station :</b> Government Primary School, Undir, Bandora	<b>Number of Auxiliary Polling Stations in this part :</b>	0

### 4. NUMBER OF ELECTORS

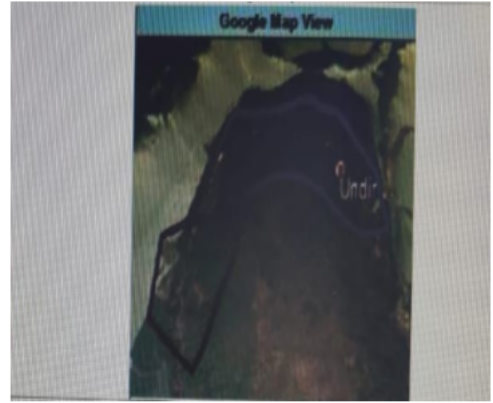
Starting Serial No.	Ending Serial No.	Net Electors			
		Male	Female	Third Gender	Total
1	415	196	214	0	410

Signature of Electoral Registration Officer

Nazri Naksha



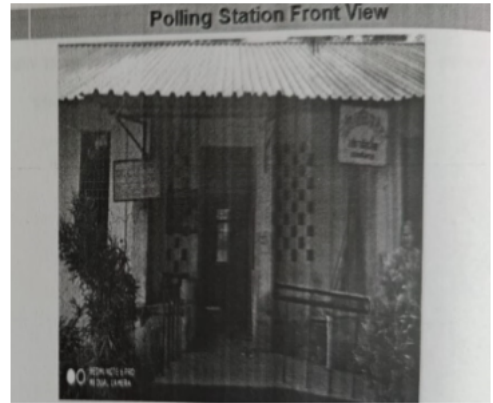
Google Map View



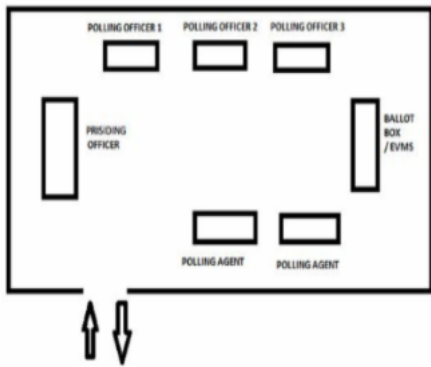
Polling Station Building Front View



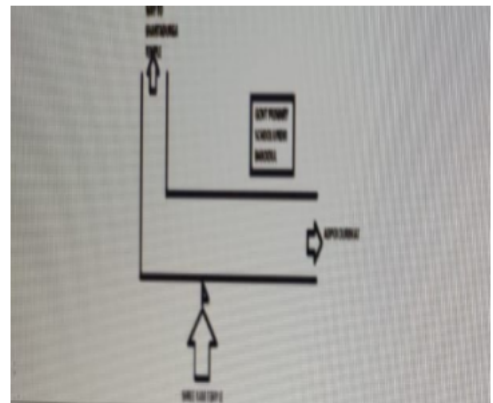
Polling Station Front View



Cad View



Key MAP View



<p>1</p> <p>Name : Ramila Parsekar Husbands Name : Rohidas Parsekar House Number : 152/A Age : 74 Gender : Female</p> <p>Photo Available</p> <p>LJN0830646</p>	<p>2</p> <p>Name : Ramesh Parsekar Fathers Name : Harischandra Parsekar House Number : 152/A Age : 70 Gender : Male</p> <p>Photo Available</p> <p>NUP0383141</p>	<p>3</p> <p>Name : Reshma Parsekar Husbands Name : Ramesh Parsekar House Number : 152/A Age : 63 Gender : Female</p> <p>Photo Available</p> <p>NUP0383133</p>
<p>4</p> <p>Name : Pritesh Parsekar Fathers Name : Rohidas Parsekar House Number : 152/A Age : 44 Gender : Male</p> <p>Photo Available</p> <p>LJN0830638</p>	<p>5</p> <p>Name : Sharmila Parsekar Husbands Name : Pritesh Parsekar House Number : 152/A Age : 42 Gender : Female</p> <p>Photo Available</p> <p>HFF4245163</p>	<p>6</p> <p>Name : Antonia Kerketta Husbands Name : Silvester Kerketta House Number : 152/B Age : 51 Gender : Female</p> <p>Photo Available</p> <p>LJN1499409</p>
<p>7</p> <p>Name : Prema Kerketta Fathers Name : Silvester Kerketta House Number : 152/B Age : 28 Gender : Female</p> <p>Photo Available</p> <p>NUP0316265</p>	<p>8</p> <p>Name : Chandani Parsekar Fathers Name : Chandrakant Parsekar House Number : 152/D Age : 35 Gender : Female</p> <p>Photo Available</p> <p>NUP0275099</p>	<p>9</p> <p>Name : Rudraksh Parsekar Fathers Name : Rama Parsekar House Number : 151 Age : 37 Gender : Male</p> <p>Photo Available</p> <p>NUP0264465</p>
<p>10</p> <p>Name : Rama Parsekar Fathers Name : Raghuvir Parsekar House Number : 153 Age : 64 Gender : Male</p> <p>Photo Available</p> <p>NUP0101626</p>	<p>11</p> <p>Name : Rajeshree Parsekar Husbands Name : Rama Parsekar House Number : 153 Age : 63 Gender : Female</p> <p>Photo Available</p> <p>NUP0102202</p>	<p>12</p> <p>Name : Pramod Parsekar Fathers Name : Raghuvir Parsekar House Number : 153 Age : 57 Gender : Male</p> <p>Photo Available</p> <p>LJN1507128</p>
<p>13</p> <p>Name : Prashant Parsekar Fathers Name : Raghuvir Parsekar House Number : 153 Age : 54 Gender : Male</p> <p>Photo Available</p> <p>NUP0110403</p>	<p>14</p> <p>Name : Pramodini Parsekar Husbands Name : Pramod Parsekar House Number : 153 Age : 48 Gender : Female</p> <p>Photo Available</p> <p>NUP0309815</p>	<p>15</p> <p>Name : Priya Parsekar Husbands Name : Prashant Parsekar House Number : 153 Age : 45 Gender : Female</p> <p>Photo Available</p> <p>NUP0269936</p>
<p>16</p> <p>Name : Vishant Parsekar Fathers Name : Raghuvir Parsekar House Number : 153 Age : 45 Gender : Male</p> <p>Photo Available</p> <p>LJN1508431</p>	<p>17</p> <p>Name : Pooja Parsekar Husbands Name : Vishant Parsekar House Number : 153 Age : 40 Gender : Female</p> <p>Photo Available</p> <p>NUP0287656</p>	<p>18</p> <p>Name : Sailee Parsekar Fathers Name : Rama Parsekar House Number : 153 Age : 29 Gender : Female</p> <p>Photo Available</p> <p>NUP0317099</p>
<p>19</p> <p>Name : Pranesh Parsekar Fathers Name : Pramod Parsekar House Number : 153 Age : 24 Gender : Male</p> <p>Photo Available</p> <p>NUP0396044</p>	<p>20</p> <p>Name : PRANJAL PRAMOD PARSEKAR Fathers Name : PRAMOD PARSEKAR House Number : 153 Age : 22 Gender : Female</p> <p>Photo Available</p> <p>NUP0410001</p>	<p>21</p> <p>Name : Saraswati Parsekar Husbands Name : Anant Parsekar House Number : 153/1 Age : 71 Gender : Female</p> <p>Photo Available</p> <p>NUP0287557</p>
<p>22</p> <p>Name : Sitaram Parsekar Fathers Name : Anant Parsekar House Number : 153/1 Age : 38 Gender : Male</p> <p>Photo Available</p> <p>NUP0287540</p>	<p>23</p> <p>Name : Anupama Parsekar Fathers Name : Anant Parsekar House Number : 153/1 Age : 33 Gender : Female</p> <p>Photo Available</p> <p>NUP0287714</p>	<p>24</p> <p>Name : Srimati Parsekar Husbands Name : Narayan Parsekar House Number : 153/3 Age : 95 Gender : Female</p> <p>Photo Available</p> <p>NUP0383059</p>
<p>25</p> <p>Name : Sadanand Parsekar Fathers Name : Narayan Parsekar House Number : 153/3 Age : 73 Gender : Male</p> <p>Photo Available</p> <p>NUP0383042</p>	<p>26</p> <p>Name : Sunita Parsekar Husbands Name : Sadanand Parsekar House Number : 153/3 Age : 68 Gender : Female</p> <p>Photo Available</p> <p>NUP0383034</p>	<p>27</p> <p>Name : Narayan Parsekar Fathers Name : Premanand Parsekar House Number : 153/3 Age : 44 Gender : Male</p> <p>Photo Available</p> <p>NUP0255679</p>
<p>28</p> <p>Name : Shradha Parsekar Fathers Name : Sadanand Parsekar House Number : 153/3 Age : 42 Gender : Female</p> <p>Photo Available</p> <p>LJN0830745</p>	<p>29</p> <p>Name : Prabhanjan Parsekar Fathers Name : Sadanand Parsekar House Number : 153/3 Age : 41 Gender : Male</p> <p>Photo Available</p> <p>LJN1516418</p>	<p>Q 30</p> <p>Name : Binita Parsekar Husbands Name : Sadhakar Parsekar House Number : 153/6 Age : 51 Gender : Female</p> <p>Photo Available</p> <p>LJN5231147</p>

<p>31</p> <p>Name : Anil Parsekar Fathers Name: Vithal Parsekar House Number : 153/6 Age : 69 Gender : Male</p> <p>Photo Available</p> <p>NUP0305318</p>	<p>32</p> <p>Name : Seema Parsekar Husbands Name: Shivanand Parsekar House Number : 153/6 Age : 67 Gender : Female</p> <p>Photo Available</p> <p>NUP0099481</p>	<p>33</p> <p>Name : Sheshraj Parsekar Fathers Name: Shivanand Parsekar House Number : 153/6 Age : 44 Gender : Male</p> <p>Photo Available</p> <p>LJN8309346</p>
<p>34</p> <p>Name : Sitabai Naik Parsekar Husbands Name: Ramnath Naik Parsekar House Number : 154 Age : 81 Gender : Female</p> <p>Photo Available</p> <p>NUP0383026</p>	<p>35</p> <p>Name : Ajitkumar Naik Parsekar Fathers Name: Ramnath Naik Parsekar House Number : 154 Age : 59 Gender : Male</p> <p>Photo Available</p> <p>NUP0383018</p>	<p>36</p> <p>Name : Raghuvir Naik Parsekar Fathers Name: Ramanath Naik Parsekar House Number : 154 Age : 57 Gender : Male</p> <p>Photo Available</p> <p>NUP0383000</p>
<p>37</p> <p>Name : Ashwini Naik Parsekar Husbands Name: Ajitkumar Naik Parsekar House Number : 154 Age : 54 Gender : Female</p> <p>Photo Available</p> <p>LJN0830760</p>	<p>38</p> <p>Name : Mukta Naik Parsekar Husbands Name: Raghuvir Naik Parsekar House Number : 154 Age : 46 Gender : Female</p> <p>Photo Available</p> <p>NUP0293829</p>	<p>39</p> <p>Name : Amisha Naik Parsekar Fathers Name: Ajitkumar Naik Parsekar House Number : 154 Age : 25 Gender : Female</p> <p>Photo Available</p> <p>NUP0336982</p>
<p>40</p> <p>Name : Ashok Naik Fathers Name: Bhikaro Naik House Number : 155 Age : 61 Gender : Male</p> <p>Photo Available</p> <p>LJN1510882</p>	<p>41</p> <p>Name : Budu Naik Fathers Name: Bhikaro Naik House Number : 155 Age : 58 Gender : Male</p> <p>Photo Available</p> <p>NUP0221861</p>	<p>42</p> <p>Name : Mohan Naik Fathers Name: Utu Naik House Number : 155 Age : 53 Gender : Male</p> <p>Photo Available</p> <p>LJN1509785</p>
<p>43</p> <p>Name : Vanita Naik Husbands Name: Budu Naik House Number : 155 Age : 51 Gender : Female</p> <p>Photo Available</p> <p>LJN1511799</p>	<p>44</p> <p>Name : Bhomi Naik Fathers Name: Bhikaro Naik House Number : 155 Age : 42 Gender : Male</p> <p>Photo Available</p> <p>LJN1502244</p>	<p>45</p> <p>Name : Vikas Kosambe Fathers Name: Narayan Kosambe House Number : 155/1 Age : 63 Gender : Male</p> <p>Photo Available</p> <p>NUP0110973</p>
<p>46</p> <p>Name : Roopa Kosambe Husbands Name: Vikas Kosambe House Number : 155/1 Age : 61 Gender : Female</p> <p>Photo Available</p> <p>LJN1512359</p>	<p>47</p> <p>Name : Akshada Kosambe Fathers Name: Vikas Kosambe House Number : 155/1 Age : 29 Gender : Female</p> <p>Photo Available</p> <p>NUP0311670</p>	<p>48</p> <p>Name : Narayan Kosambe Fathers Name: Vikas Kosambe House Number : 155/1 Age : 26 Gender : Male</p> <p>Photo Available</p> <p>NUP0331611</p>
<p>49</p> <p>Name : Ashved Kosambe Fathers Name: Vikas Kosambe House Number : 155/1 Age : 22 Gender : Male</p> <p>Photo Available</p> <p>NUP0407205</p>	<p>50</p> <p>Name : Suresh Naik Fathers Name: Bomi Naik House Number : 155/A Age : 63 Gender : Male</p> <p>Photo Available</p> <p>NUP0093724</p>	<p>51</p> <p>Name : Shoban Naik Husbands Name: Suresh Naik House Number : 155/A Age : 59 Gender : Female</p> <p>Photo Available</p> <p>LJN1510031</p>
<p>52</p> <p>Name : Deepak Naik Fathers Name: Suresh Naik House Number : 155/A Age : 39 Gender : Male</p> <p>Photo Available</p> <p>LJN1508753</p>	<p>53</p> <p>Name : Deeptesh Naik Fathers Name: Suresh Naik House Number : 155/A Age : 33 Gender : Male</p> <p>Photo Available</p> <p>NUP0287615</p>	<p>54</p> <p>Name : Deepashree Naik Fathers Name: Suresh Naik House Number : 155/A Age : 29 Gender : Female</p> <p>Photo Available</p> <p>NUP0312405</p>
<p>55</p> <p>Name : Meera Naik Husbands Name: Narayan Naik House Number : 155/B Age : 73 Gender : Female</p> <p>Photo Available</p> <p>LJN1486372</p>	<p>56</p> <p>Name : Ram Naik Fathers Name: Narayan Naik House Number : 155/B Age : 44 Gender : Male</p> <p>Photo Available</p> <p>NUP0222216</p>	<p>57</p> <p>Name : Namrata Naik Husbands Name: Ram Naik House Number : 155-B Age : 38 Gender : Female</p> <p>Photo Available</p> <p>NUP0302067</p>
<p>58</p> <p>Name : Datta Naik Fathers Name: Bhikaro Naik House Number : 155/B-1 Age : 54 Gender : Male</p> <p>Photo Available</p> <p>LJN1509793</p>	<p>59</p> <p>Name : Pooja Naik Husbands Name: Datta Naik House Number : 155/B-1 Age : 44 Gender : Female</p> <p>Photo Available</p> <p>NUP0255687</p>	<p>60</p> <p>Name : Shali Sawant Husbands Name: Venkatesh Sawant House Number : 156 Age : 76 Gender : Female</p> <p>Photo Available</p> <p>LJN1503515</p>

<p>61</p> <p>JCM6669931</p> <p>Name : Simran Sawant Husbands Name : Surya Sawant House Number : 156 Age : 45 Gender : Female</p> <p>Photo Available</p>	<p>62</p> <p>LJN1503432</p> <p>Name : Dinesh Naik Fathers Name : Govind Naik House Number : 158 Age : 51 Gender : Male</p> <p>Photo Available</p>	<p>63</p> <p>LJN1516699</p> <p>Name : Sharad Naik Husbands Name : Damodar Naik House Number : 158 Age : 49 Gender : Female</p> <p>Photo Available</p>
<p>64</p> <p>LJN1503440</p> <p>Name : Diya Naik Husbands Name : Dinesh Naik House Number : 158 Age : 46 Gender : Female</p> <p>Photo Available</p>	<p>65</p> <p>NUP0330787</p> <p>Name : Darshana Naik Fathers Name : Damodar Naik House Number : 158 Age : 27 Gender : Female</p> <p>Photo Available</p>	<p>66</p> <p>NUP0419200</p> <p>Name : Snehal Dinesh Naik Fathers Name : Dinesh Naik House Number : H. No. 158 Age : 20 Gender : Female</p> <p>Photo Available</p>
<p>67</p> <p>NUP0409995</p> <p>Name : Suham Naik Mothers Name : Sharad Naik House Number : 158 Age : 21 Gender : Male</p> <p>Photo Available</p>	<p>68</p> <p>LJN1501204</p> <p>Name : Gokul Naik Husbands Name : Vasant Naik House Number : 159 Age : 81 Gender : Female</p> <p>Photo Available</p>	<p>69</p> <p>NUP0102145</p> <p>Name : Ratnakar Naik Fathers Name : Chandrakant Naik House Number : 159 Age : 61 Gender : Male</p> <p>Photo Available</p>
<p>70</p> <p>NUP0100016</p> <p>Name : Gurudas Naik Fathers Name : Chandrakant Naik House Number : 159 Age : 58 Gender : Male</p> <p>Photo Available</p>	<p>71</p> <p>LJN1501360</p> <p>Name : Pushpa Naik Husbands Name : Ratnakar Naik House Number : 159 Age : 56 Gender : Female</p> <p>Photo Available</p>	<p>72</p> <p>LJN1503036</p> <p>Name : Gulab Naik Husbands Name : Gurudas Naik House Number : 159 Age : 54 Gender : Female</p> <p>Photo Available</p>
<p>73</p> <p>NUP0092874</p> <p>Name : Mohandas Naik Fathers Name : Chandrakant Naik House Number : 159 Age : 53 Gender : Male</p> <p>Photo Available</p>	<p>74</p> <p>LJN1502830</p> <p>Name : Umesh Vasant Naik Fathers Name : Vasant Naik House Number : 159 Age : 50 Gender : Male</p> <p>Photo Available</p>	<p>75</p> <p>RCA0090894</p> <p>Name : Lalita Naik Husbands Name : Mohandas Naik House Number : 159 Age : 50 Gender : Female</p> <p>Photo Available</p>
<p>76</p> <p>NUP0101444</p> <p>Name : Supriya Naik Fathers Name : Vasant Naik House Number : 159 Age : 41 Gender : Female</p> <p>Photo Available</p>	<p>77</p> <p>NUP0410704</p> <p>Name : Chandresh Naik Fathers Name : Gurudas Naik House Number : 159 Age : 21 Gender : Male</p> <p>Photo Available</p>	<p>78</p> <p>NUP0223206</p> <p>Name : Vishwas Naik Fathers Name : Dattu Naik House Number : 159/1 Age : 53 Gender : Male</p> <p>Photo Available</p>
<p>79</p> <p>LJN1503929</p> <p>Name : Dyaneshwar Naik Fathers Name : Dattu Naik House Number : 159/1 Age : 47 Gender : Male</p> <p>Photo Available</p>	<p>80</p> <p>LJN1509561</p> <p>Name : Sushma Naik Husbands Name : Vishwas Naik House Number : 159/1 Age : 46 Gender : Female</p> <p>Photo Available</p>	<p>81</p> <p>LJN7331754</p> <p>Name : Archana Naik Husbands Name : Paresh Naik House Number : 159/1 Age : 43 Gender : Female</p> <p>Photo Available</p>
<p>82</p> <p>LJN1502129</p> <p>Name : Satish Naik Fathers Name : Dattu Naik House Number : 159/1 Age : 43 Gender : Male</p> <p>Photo Available</p>	<p>83</p> <p>LJN1509736</p> <p>Name : Sandeep Naik Fathers Name : Dattu Naik House Number : 159/1 Age : 41 Gender : Male</p> <p>Photo Available</p>	<p>84</p> <p>LJN1486596</p> <p>Name : Paresh Naik Fathers Name : Dattu Naik House Number : 159/1 Age : 40 Gender : Male</p> <p>Photo Available</p>
<p>85</p> <p>NUP0210898</p> <p>Name : Jaipradha Naik Husbands Name : Dyaneshwar Naik House Number : 159/1 Age : 38 Gender : Female</p> <p>Photo Available</p>	<p>86</p> <p>NUP0421065</p> <p>Name : NAVITA NAIK Fathers Name : VISHWAS NAIK House Number : 159/1 Age : 19 Gender : Female</p> <p>Photo Available</p>	<p>87</p> <p>LJN1504166</p> <p>Name : Prakash Naik Fathers Name : Babani Naik House Number : 160 Age : 66 Gender : Male</p> <p>Photo Available</p>
<p>88</p> <p>LJN1501196</p> <p>Name : Prajoti Naik Husbands Name : Prakash Naik House Number : 160 Age : 61 Gender : Female</p> <p>Photo Available</p>	<p>89</p> <p>NUP0382929</p> <p>Name : Paresh Naik Fathers Name : Babani Naik House Number : 160 Age : 56 Gender : Male</p> <p>Photo Available</p>	<p>90</p> <p>NUP0255786</p> <p>Name : Surekha Naik Husbands Name : Paresh Naik House Number : 160 Age : 48 Gender : Female</p> <p>Photo Available</p>

<p>91</p> <p>Name : Anandi Naik Husbands Name : Dattaram Naik House Number : 160/2 Age : 74 Gender : Female</p> <p>Photo Available</p>	NUP0382911	<p>92</p> <p>Name : Rajendra Naik Fathers Name : Dattaram Naik House Number : 160/2 Age : 48 Gender : Male</p> <p>Photo Available</p>	LJN1489293	<p>93</p> <p>Name : Sulbha Naik Husbands Name : Rajendra Naik House Number : 160/2 Age : 45 Gender : Female</p> <p>Photo Available</p>	JGZ4288023
<p>94</p> <p>Name : Rekha Naik Fathers Name : Dattaram Naik House Number : 160/2 Age : 45 Gender : Female</p> <p>Photo Available</p>	LJN1504612	<p>95</p> <p>Name : Prashil Naik Fathers Name : Dattaram Naik House Number : 160/2 Age : 40 Gender : Male</p> <p>Photo Available</p>	LJN1489285	<p>96</p> <p>Name : Swati Naik Husbands Name : Prashil Naik House Number : 160/2 Age : 33 Gender : Female</p> <p>Photo Available</p>	TUH0316323
<p>97</p> <p>Name : Hashvita Naik Husbands Name : Hanumant Naik House Number : 161/1 Age : 47 Gender : Female</p> <p>Photo Available</p>	HNL1374800	<p>98</p> <p>Name : Chandrika Naik Husbands Name : Rajesh Naik House Number : 161/1 Age : 47 Gender : Female</p> <p>Photo Available</p>	NUP0293803	<p>99</p> <p>Name : Hanumant Naik Fathers Name : Surya Naik House Number : 161/1 Age : 47 Gender : Male</p> <p>Photo Available</p>	LJN1506757
<p>100</p> <p>Name : Shubhadha Naik Husbands Name : Anand Naik House Number : 161/B Age : 69 Gender : Female</p> <p>Photo Available</p>	LJN1295336	<p>101</p> <p>Name : Sushila Naik Husbands Name : Yesu Naik House Number : 162 Age : 82 Gender : Female</p> <p>Photo Available</p>	NUP0382648	<p>102</p> <p>Name : Gurudas Naik Fathers Name : Yesu Naik House Number : 162 Age : 34 Gender : Male</p> <p>Photo Available</p>	NUP0255695
<p>103</p> <p>Name : Sandhya Pokle Husbands Name : Prabhakar Pokle House Number : 162/1 Age : 76 Gender : Female</p> <p>Photo Available</p>	NUP0264499	<p>104</p> <p>Name : Prashant Pokle Fathers Name : Prabhakar Pokle House Number : 162/1 Age : 49 Gender : Male</p> <p>Photo Available</p>	LJN1510015	<p>105</p> <p>Name : Anand Naik Fathers Name : Shiva Naik House Number : 163 Age : 60 Gender : Male</p> <p>Photo Available</p>	NUP0267021
<p>106</p> <p>Name : Rajendra Naik Fathers Name : Shiva Naik House Number : 163 Age : 48 Gender : Male</p> <p>Photo Available</p>	NUP0267054	<p>107</p> <p>Name : Radhika Naik Husbands Name : Rajendra Naik House Number : 163 Age : 47 Gender : Female</p> <p>Photo Available</p>	HFF0775114	<p>108</p> <p>Name : Sharmila Naik Husbands Name : Anand Naik House Number : 163 Age : 46 Gender : Female</p> <p>Photo Available</p>	NUP0382697
<p>109</p> <p>Name : Roshni Naik Husbands Name : Rohidas Naik House Number : 163/A Age : 54 Gender : Female</p> <p>Photo Available</p>	NUP0224725	<p>110</p> <p>Name : Dashrath Sawant Fathers Name : Govind Sawant House Number : 164 Age : 65 Gender : Male</p> <p>Photo Available</p>	LJN1500024	<p>111</p> <p>Name : Baban Sawant Fathers Name : Govind Sawant House Number : 164 Age : 60 Gender : Male</p> <p>Photo Available</p>	LJN1509124
<p>112</p> <p>Name : Sanjay Sawant Fathers Name : Govind Sawant House Number : 164 Age : 53 Gender : Male</p> <p>Photo Available</p>	NUP0233106	<p>113</p> <p>Name : Veer Baban Sawant Fathers Name : Baban Sawant House Number : H No 164 Age : 20 Gender : Male</p> <p>Photo Available</p>	NUP0420158	<p>114</p> <p>Name : Sanika Sanjay Sawant Fathers Name : Sanjay Sawant House Number : H.No. 164 Age : 20 Gender : Female</p> <p>Photo Available</p>	NUP0416388
<p>115</p> <p>Name : Saniya Sanjay Sawant Fathers Name : Sanjay Sawant House Number : H.No. 164 Age : 20 Gender : Female</p> <p>Photo Available</p>	NUP0416362	<p>116</p> <p>Name : Pratima Sawant Husbands Name : Sanjay Sawant House Number : 164 Age : 51 Gender : Female</p> <p>Photo Available</p>	LJN1509553	<p>117</p> <p>Name : Rupali Sawant Husbands Name : Baban Sawant House Number : 164 Age : 49 Gender : Female</p> <p>Photo Available</p>	LJN1509116
<p>118</p> <p>Name : Diksha Sawant Fathers Name : Dasharath Sawant House Number : 164 Age : 30 Gender : Female</p> <p>Photo Available</p>	NUP0316216	<p>119</p> <p>Name : Saburi Sawant Fathers Name : Baban Sawant House Number : 164 Age : 22 Gender : Female</p> <p>Photo Available</p>	NUP0402842	<p>120</p> <p>Name : Anant Sawant Fathers Name : Madhu Sawant House Number : 164/1 Age : 71 Gender : Male</p> <p>Photo Available</p>	LJN1506179

<p>121</p> <p>Name : Suchita Sawant Husbands Name: Anant Sawant House Number : 164/1 Age : 53 Gender : Female</p> <p>Photo Available</p>	LJN1506187	<p>122</p> <p>Name : Madhukar Sawant Fathers Name: Gajanan Sawant House Number : 164/2 Age : 81 Gender : Male</p> <p>Photo Available</p>	NUP0382622	<p>123</p> <p>Name : Ujwala Sawant Husbands Name: Madhukar Sawant House Number : 164/2 Age : 74 Gender : Female</p> <p>Photo Available</p>	LJN8317828
<p>124</p> <p>Name : Amita Sawant Fathers Name: Umakant Sawant House Number : 164/2 Age : 44 Gender : Female</p> <p>Photo Available</p>	NUP0223115	<p>125</p> <p>Name : Pravina Sawant Fathers Name: Umakant Sawant House Number : 164/2 Age : 42 Gender : Female</p> <p>Photo Available</p>	LJN1502111	<p>126</p> <p>Name : Ratnadas Sawant Fathers Name: Jaiwant Sawant House Number : 165 Age : 65 Gender : Male</p> <p>Photo Available</p>	LJN0830703
<p>127</p> <p>Name : Maya Sawant Husbands Name: Ratnadas Sawant House Number : 165 Age : 57 Gender : Female</p> <p>Photo Available</p>	LJN0830752	<p>128</p> <p>Name : Mohandas Sawant Fathers Name: Jaiwant Sawant House Number : 165 Age : 57 Gender : Male</p> <p>Photo Available</p>	NUP0382564	<p>129</p> <p>Name : Nilam Sawant Husbands Name: Mohandas Swant House Number : 165 Age : 53 Gender : Female</p> <p>Photo Available</p>	LJN1507797
<p>130</p> <p>Name : Vallabh Ratnadas Sawant Fathers Name: Ratnadas Sawant House Number : H.No. 165 Age : 20 Gender : Male</p> <p>Photo Available</p>	NUP0416040	<p>131</p> <p>Name : Tribundas Sawant Fathers Name: Jaiwant Sawant House Number : 165 Age : 48 Gender : Male</p> <p>Photo Available</p>	LJN8321580	<p>132</p> <p>Name : Manjita Sawant Husbands Name: Tribhuvandas Sawant House Number : 165 Age : 44 Gender : Female</p> <p>Photo Available</p>	BGP1222207
<p>133</p> <p>Name : Laxmi Naik Husbands Name: Babalo Naik House Number : 166/1 Age : 77 Gender : Female</p> <p>Photo Available</p>	NUP0382556	<p>134</p> <p>Name : Anand Naik Fathers Name: Babalo Naik House Number : 166/1 Age : 59 Gender : Male</p> <p>Photo Available</p>	LJN1507029	<p>135</p> <p>Name : Khushali Babalo Naik Fathers Name: Babalo Naik House Number : 166/1 Age : 53 Gender : Male</p> <p>Photo Available</p>	NUP0100511
<p>136</p> <p>Name : Surekha Naik Husbands Name: Kushali Naik House Number : 166/1 Age : 52 Gender : Female</p> <p>Photo Available</p>	LJN1506831	<p>137</p> <p>Name : Shradha Naik Husbands Name: Anand Naik House Number : 166/1 Age : 51 Gender : Female</p> <p>Photo Available</p>	LJN1502913	<p>138</p> <p>Name : Harshada Naik Fathers Name: Khushali Naik House Number : 166/1 Age : 22 Gender : Female</p> <p>Photo Available</p>	NUP0412924
<p>139</p> <p>Name : Tulshidas Naik Fathers Name: Babuli Naik House Number : 166/2 Age : 77 Gender : Male</p> <p>Photo Available</p>	LJN1486505	<p>140</p> <p>Name : Suvarna Naik Husbands Name: Tulshidas Naik House Number : 166/2 Age : 69 Gender : Female</p> <p>Photo Available</p>	NUP0382549	<p>141</p> <p>Name : Chandreshwar Naik Fathers Name: Tulshidas Naik House Number : 166/2 Age : 43 Gender : Male</p> <p>Photo Available</p>	NUP0092262
<p>142</p> <p>Name : Yuvraj Naik Fathers Name: Tulshidas Naik House Number : 166/2 Age : 40 Gender : Male</p> <p>Photo Available</p>	LJN1486646	<p>143</p> <p>Name : Gauri Naik Husbands Name: Chandreshwar Naik House Number : 166/2 Age : 38 Gender : Female</p> <p>Photo Available</p>	BGP1199538	<p>144</p> <p>Name : Pooja Naik Fathers Name: Tulshidas Naik House Number : 166/2 Age : 35 Gender : Female</p> <p>Photo Available</p>	NUP0255703
<p>145</p> <p>Name : Prashila Naik Husbands Name: Yuvraj Naik House Number : 166/2 Age : 34 Gender : Female</p> <p>Photo Available</p>	NUP0252726	<p>146</p> <p>Name : Nanda Naik Fathers Name: Sitaram Naik House Number : 166/3 Age : 57 Gender : Male</p> <p>Photo Available</p>	NUP0382531	<p>147</p> <p>Name : Lalita Naik Husbands Name: Nanda Naik House Number : 166/3 Age : 53 Gender : Female</p> <p>Photo Available</p>	NUP0251249
<p>148</p> <p>Name : Damodar Naik Fathers Name: Nanda Naik House Number : 166/3 Age : 29 Gender : Male</p> <p>Photo Available</p>	NUP0312421	<p>149</p> <p>Name : Dinesh Naik Fathers Name: Nanda Naik House Number : 166/3 Age : 27 Gender : Male</p> <p>Photo Available</p>	NUP0324772	<p>150</p> <p>Name : Girija Naik Husbands Name: Gurudas Naik House Number : 166/4 Age : 67 Gender : Female</p> <p>Photo Available</p>	LJN1507680

<p>151</p> <p>LJN1506005</p> <p>Name : Krishna Naik Fathers Name: Sitaram Naik House Number : 166/4 Age : 59 Gender : Male</p> <p>Photo Available</p>	<p>152</p> <p>LJN1505999</p> <p>Name : Radha Naik Husbands Name: Krishna Naik House Number : 166/4 Age : 51 Gender : Female</p> <p>Photo Available</p>	<p>153</p> <p>LJN1488972</p> <p>Name : Meghasham Naik Fathers Name: Gurudas Naik House Number : 166/4 Age : 42 Gender : Male</p> <p>Photo Available</p>
<p>154</p> <p>LJN1501675</p> <p>Name : Pandurang Parsekar Fathers Name: Nilkant Parsekar House Number : 167 Age : 71 Gender : Male</p> <p>Photo Available</p>	<p>155</p> <p>LJN1504638</p> <p>Name : Poonam Parsekar Husbands Name: Pandurang Parsekar House Number : 167 Age : 66 Gender : Female</p> <p>Photo Available</p>	<p>156</p> <p>NUP0255745</p> <p>Name : Rajnish Parsekar Fathers Name: Pandurang Parsekar House Number : 425 Age : 35 Gender : Male</p> <p>Photo Available</p>
<p>157</p> <p>NUP0382481</p> <p>Name : Leela Naik Husbands Name: Bhikaro Naik House Number : 167/1 Age : 78 Gender : Female</p> <p>Photo Available</p>	<p>158</p> <p>NUP0382473</p> <p>Name : Bhanudas Naik Fathers Name: Bhikaro Naik House Number : 167/1 Age : 58 Gender : Male</p> <p>Photo Available</p>	<p>159</p> <p>NUP0382465</p> <p>Name : Kishor Naik Fathers Name: Bhikaro Naik House Number : 167/1 Age : 56 Gender : Male</p> <p>Photo Available</p>
<p>160</p> <p>NUP0102426</p> <p>Name : Kiran Naik Fathers Name: Bhikaro Naik House Number : 167/1 Age : 54 Gender : Male</p> <p>Photo Available</p>	<p>161</p> <p>NUP0382457</p> <p>Name : Mohini Naik Husbands Name: Bhanudas Naik House Number : 167/1 Age : 52 Gender : Female</p> <p>Photo Available</p>	<p>162</p> <p>NUP0382440</p> <p>Name : Vasanti Naik Husbands Name: Kiran Naik House Number : 167/1 Age : 51 Gender : Female</p> <p>Photo Available</p>
<p>163</p> <p>NUP0210922</p> <p>Name : Kavita Naik Husbands Name: Kishor Naik House Number : 167/1 Age : 51 Gender : Female</p> <p>Photo Available</p>	<p>164</p> <p>NUP0210864</p> <p>Name : Anil Naik Fathers Name: Bhikaro Naik House Number : 167/1 Age : 47 Gender : Male</p> <p>Photo Available</p>	<p>165</p> <p>NUP0418814</p> <p>Name : ABHAY NAIK Fathers Name: KISHORE NAIK House Number : H. No. EHN 36 Ground Floor Age : 22 Gender : Male</p> <p>Photo Available</p>
<p>166</p> <p>LJN0815043</p> <p>Name : Narayan Naik Fathers Name: Bhikaro Naik House Number : 167/1 Age : 43 Gender : Male</p> <p>Photo Available</p>	<p>167</p> <p>REX0401216</p> <p>Name : kunda Naik Husbands Name: Narayan Naik House Number : H No 167/1 Age : 56 Gender : Female</p> <p>Photo Available</p>	<p>168</p> <p>LJN1504646</p> <p>Name : Sumati Naik Husbands Name: Budu Naik House Number : 167/A Age : 78 Gender : Female</p> <p>Photo Available</p>
<p>169</p> <p>NUP0294025</p> <p>Name : Yatin Malik Fathers Name: Pandurang Malik House Number : 167/A Age : 53 Gender : Male</p> <p>Photo Available</p>	<p>170</p> <p>LJN1514074</p> <p>Name : Sujata Yatin Malik Fathers Name: Yatin Malik House Number : 167/A Age : 50 Gender : Female</p> <p>Photo Available</p>	<p>171</p> <p>LJN1503952</p> <p>Name : Jalesh Naik Fathers Name: Budu Naik House Number : 167/A Age : 48 Gender : Male</p> <p>Photo Available</p>
<p>172</p> <p>LJN1500891</p> <p>Name : Purshottam Naik Fathers Name: Budu Naik House Number : 167/A Age : 44 Gender : Male</p> <p>Photo Available</p>	<p>173</p> <p>LJN1519362</p> <p>Name : Nilima Naik Fathers Name: Budu Naik House Number : 167/A Age : 41 Gender : Female</p> <p>Photo Available</p>	<p>174</p> <p>NUP0324848</p> <p>Name : Suvarna Naik Husbands Name: Purushottam Naik House Number : 167/A Age : 37 Gender : Female</p> <p>Photo Available</p>
<p>175</p> <p>NUP0102103</p> <p>Name : Indumati Naik Husbands Name: Kushali Naik House Number : 168 Age : 81 Gender : Female</p> <p>Photo Available</p>	<p>176</p> <p>NUP0271189</p> <p>Name : Sudha Naik Husbands Name: Kantak Naik House Number : 168 Age : 71 Gender : Female</p> <p>Photo Available</p>	<p>177</p> <p>NUP0101188</p> <p>Name : Anand Naik Fathers Name: Khushali Naik House Number : 168 Age : 71 Gender : Male</p> <p>Photo Available</p>
<p>178</p> <p>NUP0102095</p> <p>Name : Kavita Naik Husbands Name: Kalidas Naik House Number : 168 Age : 63 Gender : Female</p> <p>Photo Available</p>	<p>179</p> <p>LJN1507219</p> <p>Name : Sudin Naik Fathers Name: Kantak Naik House Number : 168 Age : 55 Gender : Male</p> <p>Photo Available</p>	<p>180</p> <p>LJN1509082</p> <p>Name : Damodar Naik Fathers Name: Kantak Naik House Number : 168 Age : 53 Gender : Male</p> <p>Photo Available</p>

<p>181</p> <p>Name : Manda Naik Husbands Name : Vishwas Naik House Number : 168 Age : 52 Gender : Female</p> <p>LJN1501097</p> <p>Photo Available</p>	<p>182</p> <p>Name : Uma Naik Husbands Name : Sunil Naik House Number : 168 Age : 47 Gender : Female</p> <p>LJN8317760</p> <p>Photo Available</p>	<p>183</p> <p>Name : Shanta Naik Husbands Name : Sudin Naik House Number : 168 Age : 45 Gender : Female</p> <p>LJN1505387</p> <p>Photo Available</p>
<p>184</p> <p>Name : Suraj Naik Fathers Name : Anand Naik House Number : 168 Age : 45 Gender : Male</p> <p>NUP0101840</p> <p>Photo Available</p>	<p>185</p> <p>Name : Ashmita Naik Husbands Name : Suraj Naik House Number : 168 Age : 32 Gender : Female</p> <p>WUC0235457</p> <p>Photo Available</p>	<p>186</p> <p>Name : Satvil Naik Fathers Name : Anand Naik House Number : 168 Age : 32 Gender : Male</p> <p>NUP0287573</p> <p>Photo Available</p>
<p>187</p> <p>Name : SAICHYA NAIK Mothers Name : SHANTA NAIK House Number : H. No. 168 Age : 21 Gender : Female</p> <p>NUP0419192</p> <p>Photo Available</p>	<p>188</p> <p>Name : Vidiksha Naik Fathers Name : vishwas Naik House Number : 168 Age : 25 Gender : Female</p> <p>NUP0341073</p> <p>Photo Available</p>	<p>189</p> <p>Name : Sulochana Naik Husbands Name : Venkatesh Naik House Number : 168/1 Age : 77 Gender : Female</p> <p>LJN1505742</p> <p>Photo Available</p>
<p>190</p> <p>Name : Dilip Naik Fathers Name : Venkatesh Naik House Number : 168/1 Age : 56 Gender : Male</p> <p>LJN1509876</p> <p>Photo Available</p>	<p>191</p> <p>Name : Jairam Naik Fathers Name : Venkatesh Naik House Number : 168/1 Age : 49 Gender : Male</p> <p>LJN1505783</p> <p>Photo Available</p>	<p>192</p> <p>Name : Kalpana Naik Fathers Name : Venkatesh Naik House Number : 168/1 Age : 46 Gender : Female</p> <p>LJN1509595</p> <p>Photo Available</p>
<p>193</p> <p>Name : Shanta Naik Fathers Name : Venkatesh Naik House Number : 168/1 Age : 43 Gender : Female</p> <p>LJN1505775</p> <p>Photo Available</p>	<p>194</p> <p>Name : Janu Naik Fathers Name : Kolo Naik House Number : 169/1 Age : 71 Gender : Male</p> <p>NUP0099333</p> <p>Photo Available</p>	<p>195</p> <p>Name : Daya Naik Fathers Name : Janu Naik House Number : 169/1 Age : 53 Gender : Male</p> <p>LJN1499730</p> <p>Photo Available</p>
<p>196</p> <p>Name : Babita Naik Husbands Name : Daya Naik House Number : 169/1 Age : 50 Gender : Female</p> <p>LJN1499722</p> <p>Photo Available</p>	<p>197</p> <p>Name : GAURANG NAIK Fathers Name : DAYA NAIK House Number : H.No. 169/1-A Age : 21 Gender : Male</p> <p>NUP0415687</p> <p>Photo Available</p>	<p>198</p> <p>Name : Laxmikant Naik Fathers Name : Janu Naik House Number : 169/1 Age : 44 Gender : Male</p> <p>LJN1488519</p> <p>Photo Available</p>
<p>199</p> <p>Name : Namrata Naik Husbands Name : Laxmikant Naik House Number : 169/1 Age : 39 Gender : Female</p> <p>LJN1490309</p> <p>Photo Available</p>	<p>200</p> <p>Name : Krishnanath Naik Fathers Name : Vishnu Naik House Number : 170 Age : 68 Gender : Male</p> <p>LJN1502202</p> <p>Photo Available</p>	<p>201</p> <p>Name : Kamini Naik Husbands Name : Krishnanath Naik House Number : 170 Age : 59 Gender : Female</p> <p>LJN1502194</p> <p>Photo Available</p>
<p>202</p> <p>Name : Shubhaga Naik Fathers Name : Krishnanath Naik House Number : 170 Age : 36 Gender : Female</p> <p>NUP0255752</p> <p>Photo Available</p>	<p>203</p> <p>Name : Ashish Naik Fathers Name : Krishnanath Naik House Number : 170 Age : 26 Gender : Male</p> <p>NUP0331645</p> <p>Photo Available</p>	<p>204</p> <p>Name : Ankush Naik Fathers Name : Narayan Naik House Number : 171 Age : 59 Gender : Male</p> <p>NUP0382226</p> <p>Photo Available</p>
<p>205</p> <p>Name : Subash Naik Fathers Name : Narayan Naik House Number : 171 Age : 54 Gender : Male</p> <p>LJN1489681</p> <p>Photo Available</p>	<p>206</p> <p>Name : Manik Naik Husbands Name : Ankush Naik House Number : 171 Age : 50 Gender : Female</p> <p>LJN8317687</p> <p>Photo Available</p>	<p>207</p> <p>Name : Sangita Naik Husbands Name : Avadhut Naik House Number : 171 Age : 49 Gender : Female</p> <p>NUP0287623</p> <p>Photo Available</p>
<p>208</p> <p>Name : Sukanti Naik Husbands Name : Subash Naik House Number : 171 Age : 49 Gender : Female</p> <p>LJN1489673</p> <p>Photo Available</p>	<p>209</p> <p>Name : Avaduta Naik Fathers Name : Narayan Naik House Number : 171 Age : 48 Gender : Male</p> <p>LJN1489483</p> <p>Photo Available</p>	<p>210</p> <p>Name : Shubham Naik Fathers Name : Subash Naik House Number : 171 Age : 28 Gender : Male</p> <p>NUP0317115</p> <p>Photo Available</p>

<p>211</p> <p>Name : Aniket Naik Fathers Name: Ankush Naik House Number : 171 Age : 25 Gender : Male</p> <p>Photo Available</p>	NUP0338129	<p>212</p> <p>Name : Sanket Naik Fathers Name: Subhash Naik House Number : 171 Age : 25 Gender : Male</p> <p>Photo Available</p>	NUP0338566	<p>213</p> <p>Name : Ashveak Naik Fathers Name: Ankush Naik House Number : 171 Age : 23 Gender : Male</p> <p>Photo Available</p>	NUP0397760
<p>214</p> <p>Name : Nali Naik Husbands Name: Shaban Naik House Number : 173/B Age : 76 Gender : Female</p> <p>Photo Available</p>	NUP0093898	<p>215</p> <p>Name : Madhukar Naik Fathers Name: Shaban Naik House Number : 173/B Age : 56 Gender : Male</p> <p>Photo Available</p>	LJN1510619	<p>216</p> <p>Name : Pradip Naik Fathers Name: Shaban Naik House Number : 173/B Age : 54 Gender : Male</p> <p>Photo Available</p>	NUP0151290
<p>217</p> <p>Name : Jyoti Naik Husbands Name: Madhukar Naik House Number : 173/B Age : 51 Gender : Female</p> <p>Photo Available</p>	LJN1505668	<p>218</p> <p>Name : Pranila Naik Husbands Name: Pradip Naik House Number : 173/B Age : 51 Gender : Female</p> <p>Photo Available</p>	NUP0267039	<p>219</p> <p>Name : Sadanand Naik Fathers Name: Shaban Naik House Number : 173/B Age : 44 Gender : Male</p> <p>Photo Available</p>	LJN1511609
<p>220</p> <p>Name : Siya Naik Husbands Name: Sadanand Naik House Number : 173/B Age : 40 Gender : Female</p> <p>Photo Available</p>	NUP0305334	<p>221</p> <p>Name : Pushpak Naik Fathers Name: Madhukar Naik House Number : 173/B Age : 30 Gender : Male</p> <p>Photo Available</p>	NUP0305326	<p>222</p> <p>Name : Sourabh Naik Fathers Name: Pradip Naik House Number : H No 437 Age : 20 Gender : Male</p> <p>Photo Available</p>	NUP0419739
<p>223</p> <p>Name : Mrithila Naik Fathers Name: Madhukar Naik House Number : 173/B Age : 25 Gender : Female</p> <p>Photo Available</p>	NUP0336990	<p>224</p> <p>Name : Satyata Naik Husbands Name: Bomi Naik House Number : 174 Age : 71 Gender : Female</p> <p>Photo Available</p>	LJN1486927	<p>225</p> <p>Name : Gokuldas Naik Fathers Name: Anant Naik House Number : 174 Age : 69 Gender : Male</p> <p>Photo Available</p>	NUP0224998
<p>226</p> <p>Name : Suresh Naik Fathers Name: Harishchandra Naik House Number : 174 Age : 56 Gender : Male</p> <p>Photo Available</p>	LJN1509769	<p>227</p> <p>Name : Tejasvi Naik Husbands Name: Suresh Naik House Number : 174 Age : 48 Gender : Female</p> <p>Photo Available</p>	NUP0255737	<p>228</p> <p>Name : Gaurav Naik Fathers Name: Gokuldas Naik House Number : 435 Age : 35 Gender : Male</p> <p>Photo Available</p>	NUP0294017
<p>229</p> <p>Name : Deepak Naik Fathers Name: Bomi Naik House Number : 174 Age : 37 Gender : Male</p> <p>Photo Available</p>	NUP0301515	<p>230</p> <p>Name : Shivdas Naik Fathers Name: Tilu Naik House Number : 175 Age : 63 Gender : Male</p> <p>Photo Available</p>	NUP0223073	<p>231</p> <p>Name : Roshan Naik Husbands Name: Shivdas Naik House Number : 175 Age : 57 Gender : Female</p> <p>Photo Available</p>	NUP0342832
<p>232</p> <p>Name : Tanvi Naik Fathers Name: Shivdas Naik House Number : 175 Age : 30 Gender : Female</p> <p>Photo Available</p>	NUP0312496	<p>233</p> <p>Name : Sangharsh Naik Fathers Name: Shivdas Naik House Number : 175 Age : 27 Gender : Male</p> <p>Photo Available</p>	NUP0324855	<p>234</p> <p>Name : Durgadas Naik Fathers Name: Tilu Naik House Number : 175/1 Age : 55 Gender : Male</p> <p>Photo Available</p>	NUP0094896
<p>235</p> <p>Name : Pramila Naik Husbands Name: Durgadas Naik House Number : H.No. 175/A Age : 52 Gender : Female</p> <p>Photo Available</p>	NUP0255729	<p>236</p> <p>Name : Reshma Naik Husbands Name: Kashinath Naik House Number : 175/2 Age : 66 Gender : Female</p> <p>Photo Available</p>	NUP0091140	<p>237</p> <p>Name : Tilu Naik Fathers Name: Kashinath Naik House Number : 175/2 Age : 46 Gender : Male</p> <p>Photo Available</p>	LJN1506914
<p>238</p> <p>Name : Viraj Naik Fathers Name: Kashinath Naik House Number : 175/2 Age : 44 Gender : Male</p> <p>Photo Available</p>	LJN1486620	<p>239</p> <p>Name : Jyostna Naik Husbands Name: Viraj Naik House Number : 175/2 Age : 43 Gender : Female</p> <p>Photo Available</p>	LJN0950949	<p>240</p> <p>Name : Shabnam Naik Husbands Name: Tilu Naik House Number : 175/2 Age : 37 Gender : Female</p> <p>Photo Available</p>	NUP0294033

<p>241</p> <p>Name : Vijaya Naik Husbands Name : Shanu Naik House Number : 175/3 Age : 64 Gender : Female</p> <p>Photo Available</p>	<p>NUP0382135</p>	<p>242</p> <p>Name : Sandesh Naik Fathers Name : Shanu Naik House Number : 175/3 Age : 40 Gender : Male</p> <p>Photo Available</p>	<p>LJN1505536</p>	<p>243</p> <p>Name : Durguem Balcrisna Naique Mothers Name : Amar Naik House Number : 175/4 Age : 59 Gender : Female</p> <p>Photo Available</p>	<p>NUP0410555</p>
<p>244</p> <p>Name : Sneha Naik Fathers Name : Ramdas Naik House Number : 175/4 Age : 36 Gender : Female</p> <p>Photo Available</p>	<p>NUP0287680</p>	<p>245</p> <p>Name : Amar Naik Fathers Name : Ramdas Naik House Number : 175/4 Age : 35 Gender : Male</p> <p>Photo Available</p>	<p>NUP0255794</p>	<p>246</p> <p>Name : Nikhil Naik Fathers Name : Ramdas Naik House Number : H. No. 175/4(A) Age : 34 Gender : Male</p> <p>Photo Available</p>	<p>NUP0287672</p>
<p>247</p> <p>Name : Seema Naik Husbands Name : Ramdas Naik House Number : H.No. 175/4(A) Age : 66 Gender : Female</p> <p>Photo Available</p>	<p>NUP0232959</p>	<p>248</p> <p>Name : Akshay Naik Fathers Name : Ramdas Naik House Number : 175/4 Age : 33 Gender : Male</p> <p>Photo Available</p>	<p>NUP0287722</p>	<p>249</p> <p>Name : Milan Naik Husbands Name : Kalidas Naik House Number : 176 Age : 65 Gender : Female</p> <p>Photo Available</p>	<p>LJN8317117</p>
<p>250</p> <p>Name : Kalidas Naik Fathers Name : Namdev Naik House Number : 176 Age : 65 Gender : Male</p> <p>Photo Available</p>	<p>NUP0101584</p>	<p>251</p> <p>Name : Deelip Pokle Fathers Name : Kashinath Pokle House Number : 179/2 Age : 64 Gender : Male</p> <p>Photo Available</p>	<p>NUP0094938</p>	<p>252</p> <p>Name : Reshma Pokle Husbands Name : Deelip Pokle House Number : 179/2 Age : 63 Gender : Female</p> <p>Photo Available</p>	<p>LJN1499466</p>
<p>253</p> <p>Name : Ketan Pokle Fathers Name : Deelip Pokle House Number : 179/2 Age : 40 Gender : Male</p> <p>Photo Available</p>	<p>LJN1514603</p>	<p>254</p> <p>Name : Krutika Pokhale Husbands Name : Ketan Pokhale House Number : 179/2 Age : 35 Gender : Female</p> <p>Photo Available</p>	<p>ZOV0231209</p>	<p>255</p> <p>Name : Suresh Pokle Fathers Name : Kashinath Pokle House Number : 179/D Age : 69 Gender : Male</p> <p>Photo Available</p>	<p>LJN1505486</p>
<p>256</p> <p>Name : Jayanti Pokle Husbands Name : Suresh Pokle House Number : 179/D Age : 65 Gender : Female</p> <p>Photo Available</p>	<p>LJN1499474</p>	<p>257</p> <p>Name : Vishal Pokle Fathers Name : Suresh Pokle House Number : 179/D Age : 40 Gender : Male</p> <p>Photo Available</p>	<p>LJN1505494</p>	<p>258</p> <p>Name : Nandkumar Naik Pokle Fathers Name : Dattaram Naik Pokle House Number : 194/A Age : 67 Gender : Male</p> <p>Photo Available</p>	<p>NUP0381442</p>
<p>259</p> <p>Name : Satyavan Naik Pokle Fathers Name : Dattaram Naik Pokle House Number : 194/A Age : 57 Gender : Male</p> <p>Photo Available</p>	<p>NUP0381384</p>	<p>260</p> <p>Name : Raunak Pokle Fathers Name : Rajendra Pokle House Number : 194/B Age : 23 Gender : Male</p> <p>Photo Available</p>	<p>NUP0396648</p>	<p>261</p> <p>Name : Riya Rajendra Pokle Fathers Name : Rajendra Pokle House Number : H. No. 194/B Age : 20 Gender : Female</p> <p>Photo Available</p>	<p>NUP0419184</p>
<p>262</p> <p>Name : Nayan Naik Pokle Husbands Name : Nandakumar Naik Pokle House Number : 194/A Age : 56 Gender : Female</p> <p>Photo Available</p>	<p>LJN1504778</p>	<p>263</p> <p>Name : Ranjana Pokle Husbands Name : Rajendra Pokle House Number : 194/A Age : 48 Gender : Female</p> <p>Photo Available</p>	<p>LJN1504794</p>	<p>264</p> <p>Name : Sanaya Naik Pokle Husbands Name : Satyavan Naik Pokle House Number : 194/A Age : 49 Gender : Female</p> <p>Photo Available</p>	<p>LJN1504786</p>
<p>265</p> <p>Name : Rajendra Pokle Fathers Name : Dattaram Pokle House Number : 194/A Age : 59 Gender : Male</p> <p>Photo Available</p>	<p>LJN1510932</p>	<p>266</p> <p>Name : Siddharth Pokle Fathers Name : Jivanand Pokle House Number : 180/A Age : 49 Gender : Male</p> <p>Photo Available</p>	<p>NUP0324863</p>	<p>267</p> <p>Name : Mangala Pokle Husbands Name : Jivanand Pokle House Number : 180/A Age : 75 Gender : Female</p> <p>Photo Available</p>	<p>NUP0324889</p>
<p>268</p> <p>Name : Sushma Pokle Husbands Name : Sidharth Pokle House Number : 180/A Age : 47 Gender : Female</p> <p>Photo Available</p>	<p>NUP0324871</p>	<p>269</p> <p>Name : Sukanti Naik Pokle Husbands Name : Ramdas Naik Pokle House Number : 180/A Age : 71 Gender : Female</p> <p>Photo Available</p>	<p>LJN1500370</p>	<p>270</p> <p>Name : Jayandra Naik Fathers Name : Narayan Naik House Number : 180/A Age : 52 Gender : Male</p> <p>Photo Available</p>	<p>LJN8317935</p>

<p>271</p> <p>Name : Vishant Naik Pokle Fathers Name: Ramdas Naik Pokle House Number : 180/A Age : 45 Gender : Male</p> <p>Photo Available</p>	<p>NUP0277863</p>	<p>272</p> <p>Name : Priya Naik Husbands Name: Jayandra Naik House Number : 445 Age : 47 Gender : Female</p> <p>Photo Available</p>	<p>HFF4233698</p>	<p>273</p> <p>Name : Sheilesh Naik Pokle Fathers Name: Ramdas Naik Pokle House Number : 180/A Age : 43 Gender : Male</p> <p>Photo Available</p>	<p>LJN1500388</p>
<p>274</p> <p>Name : Mandavati Naik Husbands Name: Narcinva Naik House Number : 181 Age : 68 Gender : Female</p> <p>Photo Available</p>	<p>NUP0382044</p>	<p>275</p> <p>Name : Sidhanand Naik Fathers Name: Narcinva Naik House Number : 181 Age : 46 Gender : Male</p> <p>Photo Available</p>	<p>LJN8317414</p>	<p>276</p> <p>Name : Priyanka Naik Husbands Name: Sidhanand Naik House Number : 181 Age : 33 Gender : Female</p> <p>Photo Available</p>	<p>NUP0300657</p>
<p>277</p> <p>Name : Tulshidas Naik Fathers Name: Sitaram Naik House Number : 181/A Age : 69 Gender : Male</p> <p>Photo Available</p>	<p>NUP0382036</p>	<p>278</p> <p>Name : Sagar Naik Fathers Name: Tulshidas Naik House Number : 181/A Age : 43 Gender : Male</p> <p>Photo Available</p>	<p>LJN8318040</p>	<p>279</p> <p>Name : Servesh Naik Fathers Name: Tulshidas Naik House Number : 181/A Age : 42 Gender : Male</p> <p>Photo Available</p>	<p>LJN1488147</p>
<p>280</p> <p>Name : Sudhesh Naik Fathers Name: Tulshidas Naik House Number : 181/A Age : 37 Gender : Male</p> <p>Photo Available</p>	<p>NUP0287748</p>	<p>281</p> <p>Name : Sandesh Naik Fathers Name: Tulshidas Naik House Number : 450-1 Age : 35 Gender : Male</p> <p>Photo Available</p>	<p>NUP0255760</p>	<p>282</p> <p>Name : Vijayanti Naik Pokle Husbands Name: Ghanasham Naik Pokle House Number : 182 Age : 66 Gender : Female</p> <p>Photo Available</p>	<p>NUP0221481</p>
<p>283</p> <p>Name : Mahadev Naik Pokle Fathers Name: Pundalik Naik Pokle House Number : 182 Age : 64 Gender : Male</p> <p>Photo Available</p>	<p>NUP0224287</p>	<p>284</p> <p>Name : Geeta Naik Husbands Name: Jaiwant Naik House Number : 182 Age : 60 Gender : Female</p> <p>Photo Available</p>	<p>NUP0221689</p>	<p>285</p> <p>Name : Kanchan Pokle Fathers Name: Pundalik Pokle House Number : 182 Age : 51 Gender : Female</p> <p>Photo Available</p>	<p>NUP0271064</p>
<p>286</p> <p>Name : Pundalik Alias Prathamesh Naik Pokle Fathers Name: Ghanashyam Naik Pokle House Number : 182 Age : 36 Gender : Male</p> <p>Photo Available</p>	<p>NUP0224105</p>	<p>287</p> <p>Name : Shreya Naik Fathers Name: Jaiwant Naik House Number : 182 Age : 25 Gender : Female</p> <p>Photo Available</p>	<p>NUP0340752</p>	<p>288</p> <p>Name : Vithoba Pokle Fathers Name: Raghuvir Pokle House Number : 182/1 Age : 81 Gender : Male</p> <p>Photo Available</p>	<p>NUP0110890</p>
<p>289</p> <p>Name : Prema Pokle Husbands Name: Vithoba Pokle House Number : 182/1 Age : 77 Gender : Female</p> <p>Photo Available</p>	<p>NUP0110841</p>	<p>290</p> <p>Name : Jeetendra Naik Pokle Fathers Name: Vithoba Naik Pokle House Number : 182/1 Age : 54 Gender : Male</p> <p>Photo Available</p>	<p>NUP0110981</p>	<p>291</p> <p>Name : Ulhas Pokle Fathers Name: Vithoba Pokle House Number : 182/1 Age : 53 Gender : Male</p> <p>Photo Available</p>	<p>NUP0221218</p>
<p>292</p> <p>Name : Sujata Pokle Husbands Name: Ulhas Pokle House Number : 182/1 Age : 51 Gender : Female</p> <p>Photo Available</p>	<p>LJN1505411</p>	<p>293</p> <p>Name : Saisha Ulhas Naik Pokle Fathers Name: Ulhas Pokle House Number : H.No. 182/1 Age : 20 Gender : Female</p> <p>Photo Available</p>	<p>NUP0414367</p>	<p>294</p> <p>Name : Sampada Naik Pokle Husbands Name: Jeetendra Naik Pokle House Number : 182/1 Age : 51 Gender : Female</p> <p>Photo Available</p>	<p>NUP0111146</p>
<p>295</p> <p>Name : Satchit Naik Fathers Name: Vithoba Naik House Number : 182/1 Age : 49 Gender : Male</p> <p>Photo Available</p>	<p>LJN1489822</p>	<p>296</p> <p>Name : Suvarna Naik Husbands Name: Satchit Naik House Number : 182/1 Age : 44 Gender : Female</p> <p>Photo Available</p>	<p>NUP0312462</p>	<p>297</p> <p>Name : Krishna Pokle Fathers Name: Chandrakant Pokle House Number : 182/2 Age : 58 Gender : Male</p> <p>Photo Available</p>	<p>NUP0099432</p>
<p>298</p> <p>Name : Shali Pokle Husbands Name: Manguesh Pokle House Number : 182/A Age : 88 Gender : Female</p> <p>Photo Available</p>	<p>NUP0382010</p>	<p>299</p> <p>Name : Milan Pokle Fathers Name: Manguesh Pokle House Number : 182/A Age : 56 Gender : Female</p> <p>Photo Available</p>	<p>LJN1488881</p>	<p>300</p> <p>Name : Ranganath Naik Pokle Fathers Name: Chandrakant Naik Pokle House Number : 182/B Age : 69 Gender : Male</p> <p>Photo Available</p>	<p>NUP0093351</p>

<p>301</p> <p>Name : Disha Naik Pokle Husbands Name : Das Naik Pokle House Number : 182/B Age : 68 Gender : Female</p> <p>Photo Available</p>	<p>NUP0271114</p>	<p>302</p> <p>Name : Sumati Naik Pokle Husbands Name : Ranganath Naik Pokle House Number : 182/B Age : 66 Gender : Female</p> <p>Photo Available</p>	<p>NUP0093807</p>	<p>303</p> <p>Name : Uday Naik Pokle Fathers Name : Chandrakant Naik Pokle House Number : 182/B Age : 63 Gender : Male</p> <p>Photo Available</p>	<p>LJN1504075</p>
<p>304</p> <p>Name : Rupa Naik Pokle Husbands Name : Uday Naik Pokle House Number : 182/B Age : 58 Gender : Female</p> <p>Photo Available</p>	<p>NUP0271015</p>	<p>305</p> <p>Name : GAJANAN POKLE Fathers Name : UDAY POKLE House Number : H.No.182/3 Age : 20 Gender : Male</p> <p>Photo Available</p>	<p>NUP0416990</p>	<p>306</p> <p>Name : Ravindra Naik Pokle Fathers Name : Ranganath Naik Pokle House Number : 182/B Age : 40 Gender : Male</p> <p>Photo Available</p>	<p>LJN1488154</p>
<p>307</p> <p>Name : Prajot Naik Pokle Fathers Name : Ranganath Naik Pokle House Number : 182/B Age : 38 Gender : Male</p> <p>Photo Available</p>	<p>NUP0224832</p>	<p>308</p> <p>Name : Devendra Pokle Fathers Name : Ranganath Pokle House Number : 182/B Age : 33 Gender : Male</p> <p>Photo Available</p>	<p>NUP0287649</p>	<p>309</p> <p>Name : Rupesh Pokle Fathers Name : Uday Pokle House Number : 182/B Age : 28 Gender : Male</p> <p>Photo Available</p>	<p>NUP0316224</p>
<p>310</p> <p>Name : Utkarsha Pokle Fathers Name : Uday Pokle House Number : 182/B Age : 25 Gender : Female</p> <p>Photo Available</p>	<p>NUP0338111</p>	<p>311</p> <p>Name : Kalindi Naik Pokale Husbands Name : Ramrai Naik Pokale House Number : 182/C Age : 86 Gender : Female</p> <p>Photo Available</p>	<p>LJN1517150</p>	<p>312</p> <p>Name : Lata Naik Pokale Husbands Name : Gurudas Naik Pokale House Number : 182/C Age : 55 Gender : Female</p> <p>Photo Available</p>	<p>NUP0381939</p>
<p>313</p> <p>Name : Durvas Naik Pokale Fathers Name : Ramraj Naik Pokale House Number : 182/C Age : 53 Gender : Male</p> <p>Photo Available</p>	<p>NUP0093740</p>	<p>314</p> <p>Name : Chitra Naik Pokale Husbands Name : Durvas Naik Pokale House Number : 182/C Age : 47 Gender : Female</p> <p>Photo Available</p>	<p>NUP0093757</p>	<p>315</p> <p>Name : Gauresh Naik Fathers Name : Gurudas Naik House Number : 182/C Age : 38 Gender : Male</p> <p>Photo Available</p>	<p>NUP0294009</p>
<p>316</p> <p>Name : Ramrai Naik Pokale Fathers Name : Gurudas Naik Pokale House Number : 182/C Age : 33 Gender : Male</p> <p>Photo Available</p>	<p>NUP0275107</p>	<p>317</p> <p>Name : Saish Pokale Fathers Name : Durvas Naik Pokale House Number : 182/C Age : 21 Gender : Male</p> <p>Photo Available</p>	<p>NUP0410100</p>	<p>318</p> <p>Name : Vijaya Bakhle Husbands Name : Anand Bakhle House Number : 183/3 Age : 84 Gender : Female</p> <p>Photo Available</p>	<p>NUP0381921</p>
<p>319</p> <p>Name : Chandrashekhar Bakhle Fathers Name : Anand Bakhle House Number : 183/3 Age : 60 Gender : Male</p> <p>Photo Available</p>	<p>NUP0110163</p>	<p>320</p> <p>Name : Surekha Bakhle Husbands Name : Chandrashekhar Bakhle House Number : 183/3 Age : 54 Gender : Female</p> <p>Photo Available</p>	<p>LJN1505163</p>	<p>Q 321</p> <p>Name : Pabudan Singh Fathers Name : Shayar Singh House Number : 183/3 Age : 39 Gender : Male</p> <p>Photo Available</p>	<p>NUP0295295</p>
<p>322</p> <p>Name : Eshani Bakhle Fathers Name : Chandrashekhar Bakhle House Number : 183/1 Age : 28 Gender : Female</p> <p>Photo Available</p>	<p>NUP0317107</p>	<p>323</p> <p>Name : Amogh Bakhle Fathers Name : Chandrashekhar Bakhle House Number : 183/3 Age : 27 Gender : Male</p> <p>Photo Available</p>	<p>NUP0324798</p>	<p>324</p> <p>Name : Daya Bhakale Husbands Name : Santosh Bhakale House Number : 184/A Age : 68 Gender : Female</p> <p>Photo Available</p>	<p>LJN1510049</p>
<p>325</p> <p>Name : Santosh Bakhale Fathers Name : Shrikant Bakhale House Number : 184/A Age : 68 Gender : Male</p> <p>Photo Available</p>	<p>NUP0277871</p>	<p>326</p> <p>Name : Prashant Bhakale Fathers Name : Shrikant Bhakale House Number : 184/A Age : 62 Gender : Male</p> <p>Photo Available</p>	<p>LJN1509504</p>	<p>327</p> <p>Name : Pratibha Prashant Bakhale Husbands Name : Prashant Bhakale House Number : 184/A Age : 57 Gender : Female</p> <p>Photo Available</p>	<p>LJN1509512</p>
<p>328</p> <p>Name : Shreeya Bhakale Fathers Name : Santosh Bhakale House Number : 470 Age : 33 Gender : Female</p> <p>Photo Available</p>	<p>NUP0270611</p>	<p>329</p> <p>Name : Prajot Bakhale Fathers Name : Prashant Bakhale House Number : 184/A Age : 31 Gender : Male</p> <p>Photo Available</p>	<p>NUP0297291</p>	<p>Q 330</p> <p>Name : Subhash Choudhari Fathers Name : Haranath Choudhari House Number : 185 Age : 45 Gender : Male</p> <p>Photo Available</p>	<p>LJN1513167</p>

<p>Q 331</p> <p>Name : Sagar Chowdhari Fathers Name: Harmathan Chowdhari House Number : 185 Age : 43 Gender : Male</p> <p>LJN1513159</p> <p>Photo Available</p>	<p>332</p> <p>Name : Diptesh Naik Fathers Name: Sadanand Naik House Number : 185 Age : 26 Gender : Male</p> <p>NUP0331652</p> <p>Photo Available</p>	<p>Q 333</p> <p>Name : Ranganath Naik Fathers Name: Raghu Naik House Number : 185/2 Age : 76 Gender : Male</p> <p>LJN1515840</p> <p>Photo Available</p>
<p>334</p> <p>Name : Gulabi Naik Husbands Name: Ranganath Naik House Number : 185/2 Age : 66 Gender : Female</p> <p>NUP0101535</p> <p>Photo Available</p>	<p>335</p> <p>Name : Sharada Naik Husbands Name: Sadanand Naik House Number : 185/2 Age : 63 Gender : Female</p> <p>LJN1499706</p> <p>Photo Available</p>	<p>336</p> <p>Name : Sanjay Naik Fathers Name: Raghu Naik House Number : 185/2 Age : 57 Gender : Male</p> <p>NUP0264507</p> <p>Photo Available</p>
<p>337</p> <p>Name : Shital Naik Husbands Name: Sanjay Naik House Number : 185/2 Age : 51 Gender : Female</p> <p>LJN8306581</p> <p>Photo Available</p>	<p>338</p> <p>Name : Sagar Naik Fathers Name: Ranganath Naik House Number : 185/2 Age : 40 Gender : Male</p> <p>LJN1501998</p> <p>Photo Available</p>	<p>339</p> <p>Name : Ramakant Naik Fathers Name: Krishna Naik House Number : 185/3 Age : 76 Gender : Male</p> <p>NUP0092346</p> <p>Photo Available</p>
<p>340</p> <p>Name : Sulochana Naik Husbands Name: Ramakant Naik House Number : 185/3 Age : 66 Gender : Female</p> <p>NUP0092924</p> <p>Photo Available</p>	<p>341</p> <p>Name : Giri Naik Fathers Name: Krishna Naik House Number : 185/3 Age : 56 Gender : Male</p> <p>NUP0092395</p> <p>Photo Available</p>	<p>342</p> <p>Name : Sangita Naik Husbands Name: Giri Naik House Number : 185/3 Age : 50 Gender : Female</p> <p>BXG0007328</p> <p>Photo Available</p>
<p>343</p> <p>Name : Ashok Naik Fathers Name: Vishnu Naik House Number : 185/4 Age : 68 Gender : Male</p> <p>NUP0093955</p> <p>Photo Available</p>	<p>344</p> <p>Name : Narayan Naik Fathers Name: Vishnu Naik House Number : 185/4 Age : 62 Gender : Male</p> <p>LJN1502087</p> <p>Photo Available</p>	<p>345</p> <p>Name : Suvarna Naik Husbands Name: Narayan Naik House Number : 185/4 Age : 56 Gender : Female</p> <p>LJN1502095</p> <p>Photo Available</p>
<p>346</p> <p>Name : Asvadeepa Naik Husbands Name: Ashok Naik House Number : 185/4 Age : 55 Gender : Female</p> <p>NUP0381830</p> <p>Photo Available</p>	<p>347</p> <p>Name : Amardeep Naik Fathers Name: Ashok Naik House Number : 185/4 Age : 39 Gender : Male</p> <p>LJN1498583</p> <p>Photo Available</p>	<p>348</p> <p>Name : SANIKA NAIK Fathers Name: NARAYAN NAIK House Number : H.No. 185/4 Age : 21 Gender : Female</p> <p>NUP0415703</p> <p>Photo Available</p>
<p>349</p> <p>Name : Anand Naik Fathers Name: Raghu Naik House Number : 185/6 Age : 69 Gender : Male</p> <p>NUP0381822</p> <p>Photo Available</p>	<p>350</p> <p>Name : Shashikala Naik Husbands Name: Anand Naik House Number : 185/6 Age : 68 Gender : Female</p> <p>NUP0381814</p> <p>Photo Available</p>	<p>351</p> <p>Name : Amit Naik Fathers Name: Anand Naik House Number : 185/6 Age : 43 Gender : Male</p> <p>LJN1280486</p> <p>Photo Available</p>
<p>352</p> <p>Name : Anil Naik Fathers Name: Anand Naik House Number : 185/6 Age : 42 Gender : Male</p> <p>NUP0233114</p> <p>Photo Available</p>	<p>353</p> <p>Name : Sarita Naik Husbands Name: Anil Naik House Number : 185/6 Age : 42 Gender : Female</p> <p>LJN1503994</p> <p>Photo Available</p>	<p>354</p> <p>Name : Sneha Naik Husbands Name: Amit Naik House Number : 185/6 Age : 36 Gender : Female</p> <p>TVK0274332</p> <p>Photo Available</p>
<p>355</p> <p>Name : Pooja Gaunker Fathers Name: Pundalik Gaunker House Number : 185/6 Age : 31 Gender : Female</p> <p>NUP0312488</p> <p>Photo Available</p>	<p>356</p> <p>Name : Prakash Naik Fathers Name: Pandharinath Naik House Number : 185/A Age : 68 Gender : Male</p> <p>NUP0093682</p> <p>Photo Available</p>	<p>357</p> <p>Name : Priya Naik Husbands Name: Prakash Naik House Number : 185/A Age : 63 Gender : Female</p> <p>LJN1501782</p> <p>Photo Available</p>
<p>358</p> <p>Name : Sali Naik Fathers Name: Prakash Naik House Number : 185/A Age : 33 Gender : Female</p> <p>NUP0287664</p> <p>Photo Available</p>	<p>359</p> <p>Name : Siddhi Naik Fathers Name: Prakash Naik House Number : 185/A Age : 29 Gender : Female</p> <p>NUP0312355</p> <p>Photo Available</p>	<p>360</p> <p>Name : Subhash Naik Fathers Name: Pandhari Naik House Number : 185/B Age : 66 Gender : Male</p> <p>LJN1485895</p> <p>Photo Available</p>

<p>361</p> <p>Name : Savita Naik Husbands Name: Subhash Naik House Number : 185/B Age : 59 Gender : Female</p> <p>Photo Available</p>	LJN1501956	<p>362</p> <p>Name : SAINATH NAIK Fathers Name: SUBHASH NAIK House Number : H.No. 185/2 Age : 20 Gender : Male</p> <p>Photo Available</p>	NUP0416925	<p>363</p> <p>Name : Sakshi Naik Fathers Name: Subhash Naik House Number : 185/B Age : 26 Gender : Female</p> <p>Photo Available</p>	NUP0335075
<p>364</p> <p>Name : Surendra Naik Fathers Name: Pandharinath Naik House Number : 185/C Age : 60 Gender : Male</p> <p>Photo Available</p>	NUP0381723	<p>365</p> <p>Name : Rakhee Naik Husbands Name: Surendra Naik House Number : 185/C Age : 51 Gender : Female</p> <p>Photo Available</p>	LJN1280023	<p>366</p> <p>Name : SAISHA NAIK Fathers Name: SURENDRA NAIK House Number : H.No. 185/C Age : 21 Gender : Female</p> <p>Photo Available</p>	NUP0415695
<p>367</p> <p>Name : Sairaj Naik Fathers Name: Surendra Naik House Number : 185/C Age : 25 Gender : Male</p> <p>Photo Available</p>	NUP0338574	<p>368</p> <p>Name : Mohini Naik Husbands Name: Dasharath Naik House Number : 186/2 Age : 56 Gender : Female</p> <p>Photo Available</p>	LJN1488022	<p>369</p> <p>Name : Diksha Naik Fathers Name: Dasharat Naik House Number : 186/2 Age : 25 Gender : Female</p> <p>Photo Available</p>	NUP0338095
<p>370</p> <p>Name : Ketan Naik Fathers Name: Dasharath Naik House Number : 186/2 Age : 23 Gender : Male</p> <p>Photo Available</p>	NUP0400176	<p>371</p> <p>Name : Lourdina Rodrigues Husbands Name: Milagre Rodrigues House Number : 187 Age : 84 Gender : Female</p> <p>Photo Available</p>	NUP0100669	<p>372</p> <p>Name : Raymond Fernandes Fathers Name: Milagre Fernandes House Number : 187 Age : 66 Gender : Male</p> <p>Photo Available</p>	LJN1498468
<p>373</p> <p>Name : Marry Paul Fernandes Fathers Name: Milagre Fernandes House Number : 187 Age : 60 Gender : Female</p> <p>Photo Available</p>	NUP0100651	<p>374</p> <p>Name : Silvano Fernandes Fathers Name: Milagre Fernandes House Number : 187 Age : 58 Gender : Male</p> <p>Photo Available</p>	NUP0381715	<p>375</p> <p>Name : Regina Fernandes Husbands Name: Silvano Fernandes House Number : 187 Age : 57 Gender : Female</p> <p>Photo Available</p>	NUP0100685
<p>376</p> <p>Name : Dina Fernandes Husbands Name: Raymond Fernandes House Number : 187 Age : 56 Gender : Female</p> <p>Photo Available</p>	LJN1498476	<p>377</p> <p>Name : Vilin Pokle Fathers Name: Govind Pokle House Number : 187/A Age : 56 Gender : Male</p> <p>Photo Available</p>	NUP0091967	<p>378</p> <p>Name : Varda Pokle Husbands Name: Vilind Pokle House Number : 187/A Age : 48 Gender : Female</p> <p>Photo Available</p>	NUP0100321
<p>379</p> <p>Name : Shamsundar Pokle Fathers Name: Yesso Pokle House Number : 188/A Age : 52 Gender : Male</p> <p>Photo Available</p>	LJN8318107	<p>380</p> <p>Name : NIYATI POKLE Fathers Name: SHAMSUNDAR POKLE House Number : H no 188/A Age : 20 Gender : Female</p> <p>Photo Available</p>	NUP0419523	<p>381</p> <p>Name : Madavi Pokle Husbands Name: Shamsunder Pokle House Number : 188/A Age : 43 Gender : Female</p> <p>Photo Available</p>	LJN1502590
<p>382</p> <p>Name : Shrimati Pokle Husbands Name: Anand Pokle House Number : 188/B Age : 68 Gender : Female</p> <p>Photo Available</p>	NUP0223347	<p>383</p> <p>Name : Sanjay Pokle Fathers Name: Anand Pokle House Number : 188/B Age : 53 Gender : Male</p> <p>Photo Available</p>	NUP0223123	<p>384</p> <p>Name : Harichandra Pokle Fathers Name: Anand Pokle House Number : 188/B Age : 50 Gender : Male</p> <p>Photo Available</p>	NUP0223289
<p>385</p> <p>Name : Shivram Pokle Fathers Name: Anand Pokle House Number : 188/B Age : 48 Gender : Male</p> <p>Photo Available</p>	LJN1499763	<p>386</p> <p>Name : Sonali Pokle Husbands Name: Shivram Pokle House Number : 188/B Age : 48 Gender : Female</p> <p>Photo Available</p>	NUP0255828	<p>387</p> <p>Name : Sushma Sanjay Pokle Husbands Name: Sanjay Pokle House Number : 188/B Age : 47 Gender : Female</p> <p>Photo Available</p>	LJN1506740
<p>388</p> <p>Name : Resha Pokle Husbands Name: Harichandra Pokle House Number : 188/B Age : 41 Gender : Female</p> <p>Photo Available</p>	HFF1519008	<p>389</p> <p>Name : SUSHANT POKLE Fathers Name: SANJAY POKLE House Number : 188/B Age : 19 Gender : Male</p> <p>Photo Available</p>	NUP0421701	<p>390</p> <p>Name : Pradij Naik Fathers Name: Subramani Naik House Number : 188/C Age : 59 Gender : Male</p> <p>Photo Available</p>	LJN1500206

391 Name : Sandhya Naik Husbands Name: Pradip Naik House Number : 188/C Age : 53 Gender : Female	NUP0100768 Photo Available	392 Name : Kshama Naik Fathers Name: Pradip Naik House Number : 188/c Age : 23 Gender : Female	NUP0397588 Photo Available	393 Name : Naguesh Pokle Fathers Name: Vassu Pokle House Number : 189 Age : 60 Gender : Male	NUP0099812 Photo Available
394 Name : Nishita Pokle Husbands Name: Naguesh Pokle House Number : 189 Age : 56 Gender : Female	NUP0099804 Photo Available	395 Name : Sanmesh Pokle Fathers Name: Nagesh Pokle House Number : 189 Age : 27 Gender : Male	NUP0324806 Photo Available	396 Name : Shreyash Pokle Fathers Name: Nagesh Pokle House Number : 189 Age : 21 Gender : Male	NUP0411389 Photo Available
397 Name : Damodar Pokle Fathers Name: Govind Pokle House Number : 189/A Age : 66 Gender : Male	NUP0099358 Photo Available	398 Name : Vina Pokle Husbands Name: Damodar Pokle House Number : 189/A Age : 61 Gender : Female	NUP0092197 Photo Available	399 Name : Gourak Pokle Fathers Name: Damodar Pokle House Number : 189/a Age : 24 Gender : Male	NUP0393231 Photo Available
400 Name : Babuli Pokle Fathers Name: Vassu Pokle House Number : 189 Age : 53 Gender : Male	LJN1512888 Photo Available	401 Name : ESHA POKLE Fathers Name: BABULI POKLE House Number : 189 Age : 23 Gender : Female	NUP0421719 Photo Available	402 Name : Bindiya Pokle Fathers Name: Babuli Pokle House Number : 189 Age : 25 Gender : Female	NUP0338004 Photo Available
403 Name : Kasturi Pokle Husbands Name: Babuli Pokle House Number : 189 Age : 48 Gender : Female	LJN1512870 Photo Available	404 Name : Vibha Bakhale Husbands Name: Vasudev Bakhale House Number : 193 Age : 64 Gender : Female	NUP0381459 Photo Available	405 Name : Manoj Joshi Fathers Name: Ashok Joshi House Number : 193 Age : 57 Gender : Male	LJN1506633 Photo Available
406 Name : Shweta Joshi Husbands Name: Manoj Joshi House Number : 193 Age : 53 Gender : Female	LJN1506625 Photo Available	407 Name : Amit Karvande Fathers Name: Pranay Karvande House Number : 193 Age : 30 Gender : Male	NUP0307983 Photo Available	408 Name : Rutuja Joshi Fathers Name: Manoj Joshi House Number : 193. Age : 24 Gender : Female	NUP0396028 Photo Available
409 Name : Anil Bakhale Fathers Name: Padmakar Bakhale House Number : 470/A Age : 72 Gender : Male	NUP0110627 Photo Available	410 Name : Sarita Bakhale Husbands Name: Anil Bakhale House Number : 470/A Age : 62 Gender : Female	NUP0267047 Photo Available	411 Name : Shaunak Bakhale Fathers Name: Anil Bakhale House Number : 470/A Age : 38 Gender : Male	NUP0255836 Photo Available
412 Name : Apurva Bakhale Husbands Name: Shaunak Bakhale House Number : 167/B-1 Age : 35 Gender : Female	NUP0410738 Photo Available	413 Name : Tanvi Bakhle Fathers Name: Anil Bakhle House Number : 470/A Age : 34 Gender : Female	NUP0255844 Photo Available		

414	1	NUP0425538	415	1	NUP0309047
Name : Vaishnavi Vilin Pokle Fathers Name: Vilin Pokle House Number : 189/A Age : 19 Gender : Female			Name : Preeti Naik Fathers Name: Premanand Naik House Number : 182 Age : 34 Gender : Female		
Photo Available			Photo Available		

SUMMARY OF ELECTORS							
A) NUMBER OF ELECTORS							
		Roll Type	Roll Identification	NUMBER OF ELECTORS			
				Male	Female	Third Gender	Total
I	Mother Roll	Mother Roll	Integrated Electoral Roll based on the Draft Roll of Special Intensive Revision 2026 published on 16-12-2025 and integrated with Additions, Deletions and Modifications carried out during Special Intensive Revision 2026	200	213	0	413
II	1- List of Additions	Supplement 1	Special Intensive Revision 2026	0	2	0	2
III	2- List of Deletions	Supplement 1	Special Intensive Revision 2026	4	1	0	5
IV	Difference due to modification in Gender field			0	0	0	0
Net Elector in this Roll after this Revision (I+II-III+IV)				196	214	0	410
B) NUMBER OF MODIFICATIONS							
Roll Type		Roll Identification		NUMBER OF MODIFICATIONS			
Supplement 1		Special Intensive Revision 2026		0			

Signature of Electoral Registration Officer

E-Expired S-Shifted/Change of Residence R-Duplicate M-Missing Q-Disqualified