

## ELECTORAL ROLL 2026 S05 Goa

No. Name and Reservation Status of Assembly Constituency : 40 - CANACONA (GEN)	Part No. : 15
--	---------------

No. Name and Reservation Status of Parliamentary Constituency(ies) in which the Assembly Constituency is located : 2 - SOUTH GOA (GEN)
--

### 1. Details of Revision

<table style="width: 100%; border-collapse: collapse;"> <tr> <td style="width: 15%;"><b>Year of Revision</b></td> <td>2026</td> </tr> <tr> <td><b>Qualifying Date</b></td> <td>01-01-2026</td> </tr> <tr> <td><b>Type of revision</b></td> <td>Special Intensive Revision 2026</td> </tr> <tr> <td><b>Date of Updation</b></td> <td>21-02-2026</td> </tr> </table>	<b>Year of Revision</b>	2026	<b>Qualifying Date</b>	01-01-2026	<b>Type of revision</b>	Special Intensive Revision 2026	<b>Date of Updation</b>	21-02-2026	<p style="text-align: center;"><b>Roll Identification</b></p> <p>Integrated Electoral Roll based on the Draft Roll of Special Intensive Revision 2026 published on 16-12-2025 and integrated with Additions, Deletions and Modifications carried out during Special Intensive Revision 2026</p>
<b>Year of Revision</b>	2026								
<b>Qualifying Date</b>	01-01-2026								
<b>Type of revision</b>	Special Intensive Revision 2026								
<b>Date of Updation</b>	21-02-2026								

### 2. Details of part and polling area

<b>No. and name of sections in the part</b>															
1-Near Pagi Samaj Hall / G.M. School, Palolem (Part)	<table style="width: 100%; border-collapse: collapse;"> <tr> <td style="width: 60%;">Main Town or Village</td> <td>: CANACONA</td> </tr> <tr> <td>Post Office</td> <td>: CANACONA</td> </tr> <tr> <td>Police Station</td> <td>: CANACONA</td> </tr> <tr> <td>Block</td> <td>: CANACONA</td> </tr> <tr> <td>Subdivision</td> <td>: CANACONA</td> </tr> <tr> <td>District</td> <td>: SOUTH GOA</td> </tr> <tr> <td>Pin code</td> <td>: 403702</td> </tr> </table>	Main Town or Village	: CANACONA	Post Office	: CANACONA	Police Station	: CANACONA	Block	: CANACONA	Subdivision	: CANACONA	District	: SOUTH GOA	Pin code	: 403702
Main Town or Village	: CANACONA														
Post Office	: CANACONA														
Police Station	: CANACONA														
Block	: CANACONA														
Subdivision	: CANACONA														
District	: SOUTH GOA														
Pin code	: 403702														

### 3. Polling station details

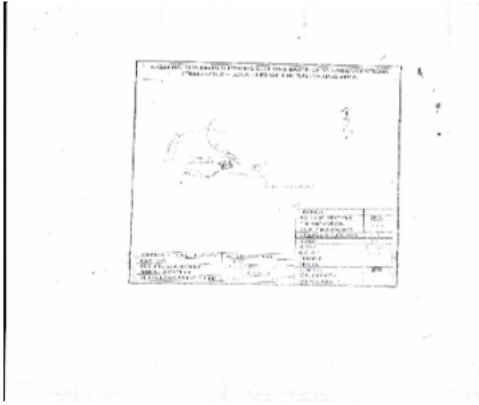
<b>No. and Name of Polling Station :</b> 15 - Govt. Middle School Bldg (West Wing), Palolem	<b>Type of Polling Station (Male/Female/General)</b>	General
<b>Address of Polling Station :</b> Govt. Middle School Bldg., Palolem	<b>Number of Auxiliary Polling Stations in this part :</b>	0

### 4. NUMBER OF ELECTORS

Starting Serial No.	Ending Serial No.	Net Electors			
		Male	Female	Third Gender	Total
1	510	247	257	0	504

Signature of Electoral Registration Officer

Nazri Naksha



Google Map View



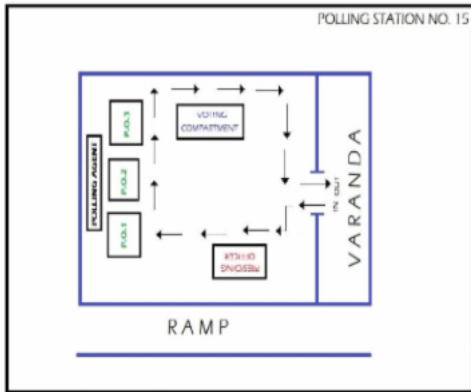
Polling Station Building Front View



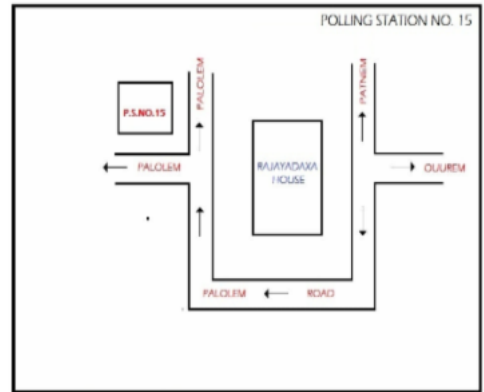
Polling Station Front View



Cad View



Key MAP View



**Assembly Constituency No and Name : 40-CANACONA**  
**Section No and Name 1-Near Pagi Samaj Hall / G.M. School, Palolem (Part)**

<p>1</p> <p>Name : Sujata Dhuri Husbands Name: Prasad Dhuri House Number : 8 Age : 37 Gender : Female</p> <p>Photo Available</p>	<p>YDX0394783</p>	<p>2</p> <p>Name : Namita Bhandari Husbands Name: Narsinha Bandari House Number : 10/158 Age : 69 Gender : Female</p> <p>Photo Available</p>	<p>ROP0166603</p>	<p>3</p> <p>Name : Saksham Santosh Pagui Fathers Name: Santosh Pagui House Number : 23 Age : 20 Gender : Male</p> <p>Photo Available</p>	<p>YDX0517490</p>
<p>4</p> <p>Name : Sapnesh Pagui Fathers Name: Ramesh Pagui House Number : 61 Age : 33 Gender : Male</p> <p>Photo Available</p>	<p>YDX0394742</p>	<p>5</p> <p>Name : Shahin Pagui Husbands Name: Sanjay Pagui House Number : 63 Age : 38 Gender : Female</p> <p>Photo Available</p>	<p>YDX0171553</p>	<p>6</p> <p>Name : Sitara Kholker Fathers Name: Prakash Kholker House Number : 75 Age : 38 Gender : Male</p> <p>Photo Available</p>	<p>YDX0395616</p>
<p>7</p> <p>Name : Akash Kholkar Fathers Name: Prakash Kholkar House Number : 75 Age : 31 Gender : Male</p> <p>Photo Available</p>	<p>YDX0395608</p>	<p>8</p> <p>Name : Sushma Pagui Husbands Name: Raghuvir Pagui House Number : 81 Age : 49 Gender : Female</p> <p>Photo Available</p>	<p>BTZ1781343</p>	<p>9</p> <p>Name : Mohan Patti Fathers Name: Khushali Patti House Number : 82 Age : 61 Gender : Male</p> <p>Photo Available</p>	<p>YDX0433896</p>
<p>10</p> <p>Name : Manita Patti Husbands Name: Mohan Patti House Number : 82 Age : 56 Gender : Female</p> <p>Photo Available</p>	<p>YDX0433888</p>	<p>11</p> <p>Name : Babu Kandolkar Fathers Name: Raya Kandolkar House Number : 82/A Age : 52 Gender : Male</p> <p>Photo Available</p>	<p>YDX0425819</p>	<p>12</p> <p>Name : Meenakshi Kandolkar Husbands Name: Babu Kandolkar House Number : 82/A Age : 41 Gender : Female</p> <p>Photo Available</p>	<p>BTZ1781020</p>
<p>13</p> <p>Name : NEHA BABU KANKONKAR Fathers Name: BABU KANKONKAR House Number : 82/A Age : 23 Gender : Female</p> <p>Photo Available</p>	<p>YDX0495044</p>	<p>14</p> <p>Name : Shekhar Fal Desai Fathers Name: Nilu Fal Desai House Number : 83 Age : 54 Gender : Male</p> <p>Photo Available</p>	<p>YDX0433870</p>	<p>15</p> <p>Name : Jaimini Fal Desai Husbands Name: Shekhar Fal Desai House Number : 83 Age : 53 Gender : Female</p> <p>Photo Available</p>	<p>BTZ5450481</p>
<p>16</p> <p>Name : Anish Fal Desai Fathers Name: Shekhar Fal Desai House Number : 83/A Age : 22 Gender : Male</p> <p>Photo Available</p>	<p>YDX0507319</p>	<p>17</p> <p>Name : Nilesh Dessai Fathers Name: Anant Dessai House Number : 83B Age : 53 Gender : Male</p> <p>Photo Available</p>	<p>YDX0430652</p>	<p>18</p> <p>Name : Nandan Anant Naik Dessai Fathers Name: Anant Naik Dessai House Number : 83B Age : 48 Gender : Male</p> <p>Photo Available</p>	<p>YDX0430645</p>
<p>19</p> <p>Name : Nirmita Dessai Husbands Name: Nilesh Dessai House Number : 83B Age : 47 Gender : Female</p> <p>Photo Available</p>	<p>BTZ5450499</p>	<p>20</p> <p>Name : Ninad Dessai Fathers Name: Anant Dessai House Number : 83b Age : 45 Gender : Male</p> <p>Photo Available</p>	<p>BTZ0340059</p>	<p>21</p> <p>Name : Suchita Naik Dessai Husbands Name: Nandan Naik Dessai House Number : 83b Age : 45 Gender : Female</p> <p>Photo Available</p>	<p>YDX0379784</p>
<p>22</p> <p>Name : Anthony Piedade Rodrigues Fathers Name: Mateus Rodrigues House Number : 84 Age : 47 Gender : Male</p> <p>Photo Available</p>	<p>YDX0170324</p>	<p>23</p> <p>Name : Agima Fernandes Husbands Name: Anthony Piedade Rodrigues House Number : 84 Age : 40 Gender : Female</p> <p>Photo Available</p>	<p>YDX0355446</p>	<p>24</p> <p>Name : Kunda Pagui Husbands Name: Gopal Pagui House Number : 86 Age : 51 Gender : Female</p> <p>Photo Available</p>	<p>BTZ5474911</p>
<p>25</p> <p>Name : Arti Pagui Fathers Name: Balkrishna Pagui House Number : 86 Age : 39 Gender : Female</p> <p>Photo Available</p>	<p>YDX0173039</p>	<p>26</p> <p>Name : Narayan Pagui Fathers Name: Raghunath Pagui House Number : 87 Age : 52 Gender : Male</p> <p>Photo Available</p>	<p>YDX0430553</p>	<p># 27</p> <p>Name : SHUBHLAXMI NARAYAN PAGUI Husbands Name: Narayan Pagui House Number : 87 Age : 47 Gender : Female</p> <p>Photo Available</p>	<p>YDX0371013</p>
<p>28</p> <p>Name : Devendra Pagui Fathers Name: Jiram Pagui House Number : 88 Age : 47 Gender : Male</p> <p>Photo Available</p>	<p>BTZ0156455</p>	<p>29</p> <p>Name : Kesar Pagui Husbands Name: Dharmu Pagui House Number : 89 Age : 81 Gender : Female</p> <p>Photo Available</p>	<p>YDX0430629</p>	<p>30</p> <p>Name : Pandurang Pagui Fathers Name: Thoto Pagui House Number : 90 Age : 65 Gender : Male</p> <p>Photo Available</p>	<p>YDX0430603</p>

<p>31</p> <p>YDX0430736</p> <p>Name : Pushpaganda Pagui Husbands Name: Pandurang Pagui House Number : 90 Age : 63 Gender : Female</p> <p>Photo Available</p>	<p>32</p> <p>YDX0324228</p> <p>Name : Dhanwant Pagui Fathers Name: Ramnath Pagui House Number : 90 Age : 34 Gender : Male</p> <p>Photo Available</p>	<p>33</p> <p>YDX0399550</p> <p>Name : Rakshanda Pagui Fathers Name: Ramnath Pagui House Number : 90 Age : 28 Gender : Female</p> <p>Photo Available</p>
<p>34</p> <p>YDX0413971</p> <p>Name : Pavitra Pagui Fathers Name: Pandurang Pagui House Number : 90 Age : 26 Gender : Female</p> <p>Photo Available</p>	<p>35</p> <p>YDX0285346</p> <p>Name : Ramnath Pagui Fathers Name: Thoto Pagui House Number : 90A Age : 62 Gender : Male</p> <p>Photo Available</p>	<p>36</p> <p>YDX0430702</p> <p>Name : Satyawan Pagui Fathers Name: Vishram Pagui House Number : 92 Age : 54 Gender : Male</p> <p>Photo Available</p>
<p>37</p> <p>BTZ1765825</p> <p>Name : Saloni Pagui Husbands Name: Satyawan Pagui House Number : 92 Age : 48 Gender : Female</p> <p>Photo Available</p>	<p>38</p> <p>YDX0368787</p> <p>Name : Yeshwant Pagui Fathers Name: Madu Pagui House Number : 92 Age : 33 Gender : Male</p> <p>Photo Available</p>	<p>39</p> <p>YDX0515437</p> <p>Name : Tanvi Satyawan Pagui Fathers Name: Satyawan Pagui House Number : 92 Age : 21 Gender : Female</p> <p>Photo Available</p>
<p>40</p> <p>BTZ5162631</p> <p>Name : Vasu Pagui Fathers Name: Hari Pagui House Number : 94 Age : 48 Gender : Male</p> <p>Photo Available</p>	<p>41</p> <p>BTZ0340042</p> <p>Name : Sandeep Pagui Fathers Name: Hari Pagui House Number : 94 Age : 46 Gender : Male</p> <p>Photo Available</p>	<p>42</p> <p>YDX0374876</p> <p>Name : Pritala Sandip Pagui Husbands Name: Sandip Pagui House Number : 94 Age : 34 Gender : Female</p> <p>Photo Available</p>
<p>43</p> <p>YDX0430686</p> <p>Name : Tolio Pagui Fathers Name: Conshu Pagui House Number : 95 Age : 52 Gender : Male</p> <p>Photo Available</p>	<p>44</p> <p>BTZ5166046</p> <p>Name : Mamta Pagui Husbands Name: Tolio Pagui House Number : 95 Age : 50 Gender : Female</p> <p>Photo Available</p>	<p>45</p> <p>YDX0421495</p> <p>Name : Pravesh Pagui Fathers Name: Tolio Pagui House Number : 95 Age : 25 Gender : Male</p> <p>Photo Available</p>
<p>46</p> <p>YDX0519306</p> <p>Name : DHRUV PAGUI Fathers Name: TOLIO PAGI House Number : 95 Age : 21 Gender : Male</p> <p>Photo Available</p>	<p>47</p> <p>YDX0430678</p> <p>Name : Kusum Pagui Husbands Name: Soiru Pagui House Number : 96 Age : 66 Gender : Female</p> <p>Photo Available</p>	<p>48</p> <p>YDX0430660</p> <p>Name : Ganesh Pagui Fathers Name: Laxman Pagui House Number : 97 Age : 81 Gender : Male</p> <p>Photo Available</p>
<p>49</p> <p>YDX0430777</p> <p>Name : Shantabai Pagui Husbands Name: Ganesh Pagui House Number : 97 Age : 69 Gender : Female</p> <p>Photo Available</p>	<p>50</p> <p>YDX0353201</p> <p>Name : Gurudas Pagui Fathers Name: Laxman Pagui House Number : 97a Age : 61 Gender : Male</p> <p>Photo Available</p>	<p>51</p> <p>YDX0517474</p> <p>Name : Lakesh Gurudas Pagui Fathers Name: Gurudas Pagui House Number : 97a Age : 22 Gender : Male</p> <p>Photo Available</p>
<p>52</p> <p>YDX0430751</p> <p>Name : Sudha Pagui Husbands Name: Ulhas Pagui House Number : 98 Age : 61 Gender : Female</p> <p>Photo Available</p>	<p>53</p> <p>BTZ5451521</p> <p>Name : Kavalesh Pagui Fathers Name: Ulhas Pagui House Number : 98 Age : 41 Gender : Male</p> <p>Photo Available</p>	<p>54</p> <p>BTZ0156398</p> <p>Name : Hiru Jaiwant Pagui Fathers Name: Jaiwant Bhiku Pagui House Number : 99 Age : 58 Gender : Male</p> <p>Photo Available</p>
<p>55</p> <p>BTZ5154471</p> <p>Name : Somnath Pagui Fathers Name: Jaywant Pagui House Number : 99 Age : 49 Gender : Male</p> <p>Photo Available</p>	<p>56</p> <p>BTZ5154299</p> <p>Name : Bindiya Hiru Pagui Husbands Name: Hiru Jaiwant Pagui House Number : 99 Age : 48 Gender : Female</p> <p>Photo Available</p>	<p>57</p> <p>BTZ0156521</p> <p>Name : Vaman Jaiwant Pagui Fathers Name: Jaiwant Pagui House Number : 99/B Age : 53 Gender : Male</p> <p>Photo Available</p>
<p>58</p> <p>BTZ5164355</p> <p>Name : Sharmila Pagui Husbands Name: Vaman Pagui House Number : 99/B Age : 47 Gender : Female</p> <p>Photo Available</p>	<p>59</p> <p>YDX0430744</p> <p>Name : Raju Pagui Fathers Name: Kushali Pagui House Number : 100 Age : 50 Gender : Male</p> <p>Photo Available</p>	<p>60</p> <p>YDX0307744</p> <p>Name : Rupa Pagui Husbands Name: Raju Pagui House Number : 100 Age : 45 Gender : Female</p> <p>Photo Available</p>

<p>61</p> <p>BTZ5451968</p> <p>Name : Shubhangi Pagui                      Fathers Name: Kushali Pagui                      House Number : 100                      Age : 40 Gender : Female</p> <p>Photo</p> <p>Available</p>	<p>62</p> <p>BTZ5162540</p> <p>Name : Alexino Fernandes                      Husbands Name: Francisco Fernandes                      House Number : 101                      Age : 76 Gender : Female</p> <p>Photo</p> <p>Available</p>	<p>63</p> <p>YDX0430801</p> <p>Name : Premakant Pagui                      Fathers Name: Dharmu Pagui                      House Number : 103                      Age : 59 Gender : Male</p> <p>Photo</p> <p>Available</p>
<p>64</p> <p>YDX0430819</p> <p>Name : Pratiksha Pagui                      Husbands Name: Prakash Pagui                      House Number : 103                      Age : 57 Gender : Female</p> <p>Photo</p> <p>Available</p>	<p>65</p> <p>YDX0284430</p> <p>Name : Amrut Pagui                      Fathers Name: Dharmu Pagui                      House Number : 103                      Age : 53 Gender : Male</p> <p>Photo</p> <p>Available</p>	<p>66</p> <p>BTZ5157961</p> <p>Name : Kishor Dharmu Pagui                      Fathers Name: Dharmu Pagui                      House Number : 103                      Age : 52 Gender : Male</p> <p>Photo</p> <p>Available</p>
<p>67</p> <p>YDX0171405</p> <p>Name : Meghana Pagui                      Husbands Name: Premakant Pagui                      House Number : 103                      Age : 51 Gender : Female</p> <p>Photo</p> <p>Available</p>	<p>68</p> <p>BTZ4959532</p> <p>Name : Mahendra Pagui                      Fathers Name: Dharmu Pagui                      House Number : 103                      Age : 49 Gender : Male</p> <p>Photo</p> <p>Available</p>	<p>69</p> <p>YDX0299248</p> <p>Name : Archana Pagui                      Husbands Name: Amruta Pagui                      House Number : 103                      Age : 49 Gender : Female</p> <p>Photo</p> <p>Available</p>
<p>70</p> <p>YDX0360537</p> <p>Name : Lalita Pagui                      Husbands Name: Kishor Pagui                      House Number : 103                      Age : 47 Gender : Female</p> <p>Photo</p> <p>Available</p>	<p>71</p> <p>YDX0410472</p> <p>Name : Rajeshri Mahendra Pagui                      Husbands Name: Mahendra Pagui                      House Number : 103                      Age : 38 Gender : Female</p> <p>Photo</p> <p>Available</p>	<p>72</p> <p>YDX0385450</p> <p>Name : Prajita Prakash Pagui                      Fathers Name: Prakash Pagui                      House Number : 103                      Age : 31 Gender : Female</p> <p>Photo</p> <p>Available</p>
<p>73</p> <p>YDX0394759</p> <p>Name : Narvita Pagui                      Fathers Name: Prakash Pagui                      House Number : 103                      Age : 29 Gender : Female</p> <p>Photo</p> <p>Available</p>	<p>74</p> <p>YDX0407122</p> <p>Name : Dhiraj Pagui                      Fathers Name: Prakash Pagui                      House Number : 103                      Age : 27 Gender : Male</p> <p>Photo</p> <p>Available</p>	<p>75</p> <p>YDX0422626</p> <p>Name : Dhanesh Pagui                      Fathers Name: Premakant Pagui                      House Number : 103                      Age : 25 Gender : Male</p> <p>Photo</p> <p>Available</p>
<p>76</p> <p>YDX0490359</p> <p>Name : Prajay Pagui                      Fathers Name: Prakash Pagui                      House Number : 103                      Age : 24 Gender : Male</p> <p>Photo</p> <p>Available</p>	<p>77</p> <p>YDX0516799</p> <p>Name : Tanisha Premakant Pagui                      Fathers Name: Premakant Pagui                      House Number : 103                      Age : 20 Gender : Female</p> <p>Photo</p> <p>Available</p>	<p>78</p> <p>YDX0430785</p> <p>Name : Nitin Metri                      Fathers Name: Anandu Metri                      House Number : 104                      Age : 59 Gender : Male</p> <p>Photo</p> <p>Available</p>
<p>79</p> <p>YDX0430793</p> <p>Name : Surekha Komarpant                      Husbands Name: Mohan Komarpant                      House Number : 104                      Age : 55 Gender : Female</p> <p>Photo</p> <p>Available</p>	<p>80</p> <p>BTZ5162839</p> <p>Name : Sushma Metri                      Husbands Name: Nitin Metri                      House Number : 104                      Age : 49 Gender : Female</p> <p>Photo</p> <p>Available</p>	<p>81</p> <p>YDX0517557</p> <p>Name : Nidhi Nitin Metri                      Fathers Name: Nitin Metri                      House Number : 104                      Age : 24 Gender : Female</p> <p>Photo</p> <p>Available</p>
<p>82</p> <p>YDX0299255</p> <p>Name : Anand Komarpant                      Fathers Name: Mohan Komarpant                      House Number : 105                      Age : 36 Gender : Male</p> <p>Photo</p> <p>Available</p>	<p>83</p> <p>YDX0507681</p> <p>Name : Neshma Metri                      Fathers Name: Nitin Metri                      House Number : 105/A                      Age : 25 Gender : Female</p> <p>Photo</p> <p>Available</p>	<p>84</p> <p>YDX0510925</p> <p>Name : Aradhya Metri                      Fathers Name: Nitin Metri                      House Number : 105/A                      Age : 21 Gender : Male</p> <p>Photo</p> <p>Available</p>
<p>85</p> <p>BTZ5476825</p> <p>Name : Viraj Pagui                      Fathers Name: Vishram Pagui                      House Number : 106                      Age : 43 Gender : Male</p> <p>Photo</p> <p>Available</p>	<p>86</p> <p>BTZ5451588</p> <p>Name : Shilpa Viraj Pagui                      Husbands Name: Viraj Pagui                      House Number : 106                      Age : 42 Gender : Female</p> <p>Photo</p> <p>Available</p>	<p>87</p> <p>BTZ0156356</p> <p>Name : Vijaya Pagui                      Husbands Name: Anant Pagui                      House Number : 107                      Age : 63 Gender : Female</p> <p>Photo</p> <p>Available</p>
<p>88</p> <p>BTZ0340083</p> <p>Name : Kedar Pagui                      Fathers Name: Anant Pagui                      House Number : 107                      Age : 48 Gender : Male</p> <p>Photo</p> <p>Available</p>	<p>89</p> <p>YDX0292763</p> <p>Name : Ketan Dhuri                      Fathers Name: Anand Dhuri                      House Number : 107                      Age : 44 Gender : Male</p> <p>Photo</p> <p>Available</p>	<p>90</p> <p>BTZ1780378</p> <p>Name : Kanay Pagui                      Fathers Name: Anant Pagui                      House Number : 107                      Age : 42 Gender : Male</p> <p>Photo</p> <p>Available</p>

<p>91</p> <p>Name : Vijaya Pagi Husbands Name: Narayan Pagi House Number : 108 Age : 71 Gender : Female</p> <p>Photo Available</p>	<p>YDX0430280</p>	<p>S 92</p> <p>Name : Guno Pagi Fathers Name: Narayan Pagi House Number : 108 Age : 52 Gender : Male</p> <p>Photo Available</p>	<p>BTZ1780014</p>	<p>93</p> <p>Name : Yogesh Pagi Fathers Name: Narayan Pagi House Number : 108 Age : 47 Gender : Male</p> <p>Photo Available</p>	<p>BTZ5450101</p>
<p>S 94</p> <p>Name : Swati Pagi Husbands Name: Rajesh Pagi House Number : 108 Age : 45 Gender : Female</p> <p>Photo Available</p>	<p>BTZ5451083</p>	<p>95</p> <p>Name : Arti Pagi Husbands Name: Yogesh Pagi House Number : 108 Age : 44 Gender : Female</p> <p>Photo Available</p>	<p>BTZ5450861</p>	<p>S 96</p> <p>Name : Niraja Pagi Fathers Name: Guno Pagi House Number : 108 Age : 22 Gender : Female</p> <p>Photo Available</p>	<p>YDX0503094</p>
<p>S 97</p> <p>Name : Raj Guno Pagi Fathers Name: Guno Pagi House Number : 108 Age : 20 Gender : Male</p> <p>Photo Available</p>	<p>YDX0516054</p>	<p>98</p> <p>Name : Roshan Ballikar Husbands Name: Sadanand Ballikar House Number : 109 Age : 55 Gender : Female</p> <p>Photo Available</p>	<p>YDX0304295</p>	<p>99</p> <p>Name : Bhikan Pagi Fathers Name: Shanu Pagi House Number : 109 Age : 51 Gender : Male</p> <p>Photo Available</p>	<p>BTZ5452461</p>
<p>100</p> <p>Name : Prajita Pagi Husbands Name: Bhikan Pagi House Number : 109 Age : 49 Gender : Female</p> <p>Photo Available</p>	<p>BTZ5453295</p>	<p>101</p> <p>Name : Sharmila Pagi Fathers Name: Shanu Pagi House Number : 109 Age : 49 Gender : Female</p> <p>Photo Available</p>	<p>YDX0430272</p>	<p>102</p> <p>Name : Rukamabai Bhandari Husbands Name: Chandrakant Bhandari House Number : 110 Age : 81 Gender : Female</p> <p>Photo Available</p>	<p>YDX0430264</p>
<p>103</p> <p>Name : Vijaya Bhandari Fathers Name: Chandrakant Bhandari House Number : 110 Age : 59 Gender : Female</p> <p>Photo Available</p>	<p>YDX0430256</p>	<p>104</p> <p>Name : Kritika Bhandari Husbands Name: Krishna Bhandari House Number : 110 Age : 55 Gender : Female</p> <p>Photo Available</p>	<p>YDX0296954</p>	<p>105</p> <p>Name : Krishnath Bhandari Fathers Name: Chandrakant Bhandari House Number : 110 Age : 50 Gender : Male</p> <p>Photo Available</p>	<p>YDX0171579</p>
<p>106</p> <p>Name : Ashvita Bhandari Husbands Name: Anand Bhandari House Number : 111 Age : 64 Gender : Female</p> <p>Photo Available</p>	<p>YDX0385443</p>	<p>107</p> <p>Name : Ankita Bhandari Fathers Name: Anand Bhandari House Number : 111 Age : 40 Gender : Female</p> <p>Photo Available</p>	<p>YDX0292755</p>	<p>108</p> <p>Name : Ankesh Bhandari Fathers Name: Anand Bhandari House Number : 111 Age : 39 Gender : Male</p> <p>Photo Available</p>	<p>YDX0304303</p>
<p>109</p> <p>Name : Pravina Bandekar Husbands Name: Ravindra Bandekar House Number : 112 Age : 78 Gender : Female</p> <p>Photo Available</p>	<p>YDX0430306</p>	<p>110</p> <p>Name : Sanjay Bandekar Fathers Name: Ravindra Bandekar House Number : 112 Age : 58 Gender : Male</p> <p>Photo Available</p>	<p>YDX0292896</p>	<p>111</p> <p>Name : SAILY SANJAY BANDEKAR Husbands Name: Sanjay Bandekar House Number : 112 Age : 48 Gender : Female</p> <p>Photo Available</p>	<p>BTZ1780485</p>
<p>112</p> <p>Name : Saloni Bandekar Fathers Name: Sanjay Bandekar House Number : 112 Age : 26 Gender : Female</p> <p>Photo Available</p>	<p>YDX0414029</p>	<p>113</p> <p>Name : Sahil Bandekar Fathers Name: Sanjay Bandekar House Number : 112 Age : 23 Gender : Male</p> <p>Photo Available</p>	<p>YDX0495101</p>	<p>114</p> <p>Name : Sunita Bandekar Fathers Name: Sudhakar Bandekar House Number : 113 Age : 46 Gender : Female</p> <p>Photo Available</p>	<p>BTZ0156422</p>
<p>115</p> <p>Name : Dattesh Bandekar Fathers Name: Sudhakar Bandekar House Number : 113 Age : 40 Gender : Male</p> <p>Photo Available</p>	<p>BTZ5451943</p>	<p>116</p> <p>Name : Shaila Bandekar Husbands Name: Dattesh Bandekar House Number : 113 Age : 37 Gender : Female</p> <p>Photo Available</p>	<p>YDX0204032</p>	<p>117</p> <p>Name : Jagdish Dhuri Fathers Name: Vithal Dhuri House Number : 114/B Age : 56 Gender : Male</p> <p>Photo Available</p>	<p>BTZ0156273</p>
<p>118</p> <p>Name : Dinesh Dhuri Fathers Name: Vithal Dhuri House Number : 114/B Age : 53 Gender : Male</p> <p>Photo Available</p>	<p>BTZ0156299</p>	<p>119</p> <p>Name : Nandita Dhuri Husbands Name: Jagdish Dhuri House Number : 114/B Age : 50 Gender : Female</p> <p>Photo Available</p>	<p>YDX0371021</p>	<p>120</p> <p>Name : Paresh Dhuri Fathers Name: Vithal Dhuri House Number : 114/B Age : 49 Gender : Male</p> <p>Photo Available</p>	<p>BTZ0156307</p>

<p>121</p> <p>SMV0059873</p> <p>Name : Pranita Dhuri Husbands Name : Dinesh Dhuri House Number : 114/B Age : 48 Gender : Female</p> <p>Photo Available</p>	<p>122</p> <p>YDX0360172</p> <p>Name : Divya Dhuri Husbands Name : Paresh Dhuri House Number : 114/b Age : 33 Gender : Female</p> <p>Photo Available</p>	<p>123</p> <p>YDX0430363</p> <p>Name : Kashinath Komarpant Fathers Name : Fakro Komarpant House Number : 118 Age : 81 Gender : Male</p> <p>Photo Available</p>
<p>124</p> <p>YDX0430355</p> <p>Name : Sugandha Komarpant Husbands Name : Fakro Komarpant House Number : 118 Age : 76 Gender : Female</p> <p>Photo Available</p>	<p>125</p> <p>YDX0510404</p> <p>Name : Shivdas Naik Fathers Name : Datta Naik House Number : 118 Age : 63 Gender : Male</p> <p>Photo Available</p>	<p>126</p> <p>BTZ0045088</p> <p>Name : Prakash Komarpant Fathers Name : Kashinath Komarpant House Number : 118 Age : 54 Gender : Male</p> <p>Photo Available</p>
<p>127</p> <p>BTZ5163621</p> <p>Name : Sagar Komarpant Fathers Name : Kashinath Komarpant House Number : 118 Age : 51 Gender : Male</p> <p>Photo Available</p>	<p>128</p> <p>BTZ1735463</p> <p>Name : Pratima Komarpant Husbands Name : Prakash Komarpant House Number : 118 Age : 45 Gender : Female</p> <p>Photo Available</p>	<p>129</p> <p>YDX0370965</p> <p>Name : Asha Komarpant Husbands Name : Sagar Komarpant House Number : 118 Age : 42 Gender : Female</p> <p>Photo Available</p>
<p>130</p> <p>YDX0503110</p> <p>Name : gautam Komarpant Fathers Name : prakash komarpant House Number : 118 Age : 22 Gender : Male</p> <p>Photo Available</p>	<p>131</p> <p>YDX0430330</p> <p>Name : Dattaram Komarpant Fathers Name : Fokru Komarpant House Number : 118/A Age : 73 Gender : Male</p> <p>Photo Available</p>	<p>132</p> <p>YDX0430348</p> <p>Name : Chaya Komarpant Husbands Name : Dattaram Komarpant House Number : 118/A Age : 61 Gender : Female</p> <p>Photo Available</p>
<p>133</p> <p>BTZ0156471</p> <p>Name : Deepak Komarpant Fathers Name : Dattaram Komarpant House Number : 118/A Age : 45 Gender : Male</p> <p>Photo Available</p>	<p>134</p> <p>BTZ5452503</p> <p>Name : Ajit Komarpant Fathers Name : Dattaram Komarpant House Number : 118/A Age : 43 Gender : Male</p> <p>Photo Available</p>	<p>135</p> <p>NZM4000675</p> <p>Name : Neeta Komarpant Husbands Name : Deepak Komarpant House Number : 118/A Age : 35 Gender : Female</p> <p>Photo Available</p>
<p>136</p> <p>YDX0387852</p> <p>Name : Akshay Komarpant Fathers Name : Dattaram Komarpant House Number : 118/A Age : 32 Gender : Male</p> <p>Photo Available</p>	<p>137</p> <p>BTZ1780618</p> <p>Name : Putu Pagui Fathers Name : Vithoba Pagui House Number : 119 Age : 69 Gender : Male</p> <p>Photo Available</p>	<p>138</p> <p>YDX0430322</p> <p>Name : Sugandha Pagui Husbands Name : Putu Pagui House Number : 119 Age : 66 Gender : Female</p> <p>Photo Available</p>
<p>139</p> <p>YDX0335208</p> <p>Name : Pritam Pagui Fathers Name : Putu Pagui House Number : 119 Age : 33 Gender : Male</p> <p>Photo Available</p>	<p>140</p> <p>YDX0519009</p> <p>Name : Shweta Pritam Pagui Husbands Name : Pritam Pagui House Number : 119 Age : 31 Gender : Female</p> <p>Photo Available</p>	<p>141</p> <p>YDX0430413</p> <p>Name : Shanta Mayekar Fathers Name : Datta Mayekar House Number : 120 Age : 72 Gender : Male</p> <p>Photo Available</p>
<p>142</p> <p>YDX0430405</p> <p>Name : Lalita Mayekar Husbands Name : Shanta Mayekar House Number : 120 Age : 66 Gender : Female</p> <p>Photo Available</p>	<p>143</p> <p>BTZ5450556</p> <p>Name : Pralhao Mayekar Fathers Name : Shanta Mayekar House Number : 120 Age : 40 Gender : Male</p> <p>Photo Available</p>	<p>144</p> <p>BTZ0156331</p> <p>Name : Resha Mayekar Husbands Name : Rohidas Mayekar House Number : 120/A Age : 72 Gender : Female</p> <p>Photo Available</p>
<p>145</p> <p>YDX0396473</p> <p>Name : Darshana Mayekar Husbands Name : Devdatta Mayekar House Number : 120/A Age : 40 Gender : Female</p> <p>Photo Available</p>	<p>146</p> <p>YDX0430389</p> <p>Name : Dilip Gaitonde Fathers Name : Shripad Gaitonde House Number : 123 Age : 79 Gender : Male</p> <p>Photo Available</p>	<p>147</p> <p>YDX0430371</p> <p>Name : Sunila Gaitonde Husbands Name : Dilip Gaitonde House Number : 123 Age : 78 Gender : Female</p> <p>Photo Available</p>
<p>148</p> <p>BTZ5450416</p> <p>Name : Shilpa Kedlaya Husbands Name : Vadiraj Kedlaya House Number : 123 Age : 45 Gender : Female</p> <p>Photo Available</p>	<p>149</p> <p>YDX0401794</p> <p>Name : Saurabh Gaitonde Fathers Name : Subhash Gaitonde House Number : 127 Age : 50 Gender : Male</p> <p>Photo Available</p>	<p>150</p> <p>TVK0326546</p> <p>Name : Seema Gaitonde Husbands Name : Saurabh Gaitonde House Number : 127 Age : 48 Gender : Female</p> <p>Photo Available</p>

<p>151</p> <p>Name : Pitol Gaonkar Husbands Name : Deu Gaonkar House Number : 129 Age : 66 Gender : Female</p> <p>Photo Available</p>	<p>BTZ1221944</p>	<p>152</p> <p>Name : Babesh Gaonkar Fathers Name : Devu Gaonkar House Number : 129 Age : 47 Gender : Male</p> <p>Photo Available</p>	<p>BTZ0155630</p>	<p>153</p> <p>Name : Bindya Gaonkar Husbands Name : Babesh Gaonkar House Number : 129 Age : 44 Gender : Female</p> <p>Photo Available</p>	<p>BTZ5450424</p>
<p>154</p> <p>Name : Chaitan Jalmi Fathers Name : Laxman Jalmi House Number : 129 Age : 39 Gender : Male</p> <p>Photo Available</p>	<p>BTZ1221951</p>	<p>155</p> <p>Name : Visha Jalmi Husbands Name : Chaitan Jalmi House Number : 129 Age : 37 Gender : Female</p> <p>Photo Available</p>	<p>IZP0236448</p>	<p>156</p> <p>Name : Narangi Kunkaliker Husbands Name : Tukaram Kunkaliker House Number : 132 Age : 64 Gender : Female</p> <p>Photo Available</p>	<p>YDX0292748</p>
<p>157</p> <p>Name : Bhanudas Naik Fathers Name : Shanta Naik House Number : 132 Age : 62 Gender : Male</p> <p>Photo Available</p>	<p>YDX0292722</p>	<p>158</p> <p>Name : Arun Naik Fathers Name : Shanta Naik House Number : 132 Age : 61 Gender : Male</p> <p>Photo Available</p>	<p>YDX0292730</p>	<p>159</p> <p>Name : Ankita Naik Husbands Name : Arun Naik House Number : 132 Age : 53 Gender : Female</p> <p>Photo Available</p>	<p>BTZ5162953</p>
<p>160</p> <p>Name : Dhanshree Naik Husbands Name : Banudas Naik House Number : 132 Age : 53 Gender : Female</p> <p>Photo Available</p>	<p>BTZ5162946</p>	<p>161</p> <p>Name : Pranay Kunkaliker Fathers Name : Tukaram Kunkaliker House Number : 132 Age : 41 Gender : Male</p> <p>Photo Available</p>	<p>BTZ5451463</p>	<p>162</p> <p>Name : Shubhani Naik Fathers Name : Bhanudas Naik House Number : 132 Age : 29 Gender : Female</p> <p>Photo Available</p>	<p>YDX0418731</p>
<p>163</p> <p>Name : Jyoti Singh Husbands Name : Sachin Singh House Number : 133/12 Age : 50 Gender : Female</p> <p>Photo Available</p>	<p>YDX0520320</p>	<p>164</p> <p>Name : Mahendra Desai Fathers Name : Shivram Desai House Number : 133 B Age : 83 Gender : Male</p> <p>Photo Available</p>	<p>YDX0430454</p>	<p>165</p> <p>Name : Swati Desai Husbands Name : Mahendra Desai House Number : 133 B Age : 73 Gender : Female</p> <p>Photo Available</p>	<p>YDX0430447</p>
<p>166</p> <p>Name : Tejas Desai Fathers Name : Mahendra Desai House Number : 133 B Age : 46 Gender : Male</p> <p>Photo Available</p>	<p>BTZ1780063</p>	<p>167</p> <p>Name : Tapaswi Desai Fathers Name : Mahendra Desai House Number : 133 B Age : 45 Gender : Female</p> <p>Photo Available</p>	<p>BTZ1780071</p>	<p>168</p> <p>Name : Trisha Desai Husbands Name : Tejas Desai House Number : 133 B Age : 41 Gender : Female</p> <p>Photo Available</p>	<p>CPQ0647768</p>
<p>169</p> <p>Name : Smita Desai Husbands Name : Arvind Desai House Number : 133 D Age : 68 Gender : Female</p> <p>Photo Available</p>	<p>YDX0430421</p>	<p>170</p> <p>Name : Rohan Desai Fathers Name : Arvind Desai House Number : 133d Age : 44 Gender : Male</p> <p>Photo Available</p>	<p>BTZ5154513</p>	<p>171</p> <p>Name : Madhumita Desai Fathers Name : Arvind Desai House Number : 133 D Age : 41 Gender : Female</p> <p>Photo Available</p>	<p>BTZ3402492</p>
<p>172</p> <p>Name : Balkrishna Desai Fathers Name : Bhuto Desai House Number : 137 Age : 66 Gender : Male</p> <p>Photo Available</p>	<p>YDX0298869</p>	<p>173</p> <p>Name : Smita Desai Husbands Name : Balkrishna Desai House Number : 137 Age : 61 Gender : Female</p> <p>Photo Available</p>	<p>BTZ5473392</p>	<p>174</p> <p>Name : Estevaon De Melo Fathers Name : Joao Filipe Hermogeuos De Melo House Number : 140 Age : 49 Gender : Male</p> <p>Photo Available</p>	<p>YDX0430496</p>
<p>175</p> <p>Name : Ravina Viegas Husbands Name : Estevaon De Melo House Number : 140 Age : 44 Gender : Female</p> <p>Photo Available</p>	<p>YDX0333484</p>	<p>176</p> <p>Name : Polly Nazarette De Melo Fathers Name : Joao Filipe De Melo House Number : 141 Age : 54 Gender : Male</p> <p>Photo Available</p>	<p>YDX0331942</p>	<p>177</p> <p>Name : Pramila Fernandes Husbands Name : Polly Nazarette De Melo House Number : 141 Age : 49 Gender : Female</p> <p>Photo Available</p>	<p>YDX0335232</p>
<p>178</p> <p>Name : Sebastiao Benedito Jeronimo Emiliano De Melo Fathers Name : Joao Filipe Hermogeuos De Melo House Number : 142 Age : 66 Gender : Male</p> <p>Photo Available</p>	<p>YDX0292789</p>	<p>179</p> <p>Name : Augusto De Melo Fathers Name : Joao Filipe Hermogeuos De Melo House Number : 142 Age : 62 Gender : Male</p> <p>Photo Available</p>	<p>YDX0345074</p>	<p>180</p> <p>Name : Batsy Fernandes Husbands Name : Sebastiao Benedito Jeronimo Emiliano De Melo House Number : 142 Age : 57 Gender : Female</p> <p>Photo Available</p>	<p>YDX0171454</p>

Section No and Name 1-Near Pagi Samaj Hall / G.M. School, Palolem (Part)

<p>181</p> <p>Name : Erna Fernandes Husbands Name : Augusto De Melo House Number : 142 Age : 56 Gender : Female</p> <p>Photo Available</p>	<p>YDX0171645</p>	<p>182</p> <p>Name : Aaron Pranoy De Melo Fathers Name : Sebastiao Benedito Jeronimo Emiliano De Melo House Number : 142 Age : 33 Gender : Male</p> <p>Photo Available</p>	<p>YDX0355438</p>	<p>183</p> <p>Name : Arnold Joel De Melo Fathers Name : Sebastiao Benedito Jeronimo Emiliano De Melo House Number : 142 Age : 26 Gender : Male</p> <p>Photo Available</p>	<p>YDX0425645</p>
<p>184</p> <p>Name : Phelan James De melo Fathers Name : Augusto De melo House Number : 142 Age : 21 Gender : Male</p> <p>Photo Available</p>	<p>YDX0517482</p>	<p>185</p> <p>Name : Inacio Piedade De Melo Fathers Name : Joao Filipe Hermogenes De Melo House Number : 142/A Age : 64 Gender : Male</p> <p>Photo Available</p>	<p>YDX0350835</p>	<p>186</p> <p>Name : Rosalia Rodrigues Husbands Name : Leao Custodio De'Melo House Number : 143 Age : 82 Gender : Female</p> <p>Photo Available</p>	<p>BTZ5452453</p>
<p>187</p> <p>Name : Stanny Hildegard D'Mello Fathers Name : Leao Custodio D'Mello House Number : 143 Age : 56 Gender : Male</p> <p>Photo Available</p>	<p>BTZ0155820</p>	<p>188</p> <p>Name : Scholast Ashwed D'Mello Fathers Name : Leao Custadio D'Mello House Number : 143 Age : 51 Gender : Male</p> <p>Photo Available</p>	<p>BTZ5452800</p>	<p>189</p> <p>Name : Blinda Alfa D'Souza Husbands Name : Stanny Hildegard D'Mello House Number : 143 Age : 46 Gender : Female</p> <p>Photo Available</p>	<p>BTZ5162524</p>
<p>190</p> <p>Name : Rachel D'Mello Fathers Name : Stanny Hildegard D'Mello House Number : 143 Age : 19 Gender : Female</p> <p>Photo Available</p>	<p>YDX0523480</p>	<p>191</p> <p>Name : Hermogenes Antonio De Melo Fathers Name : Carlos Menino DE Perpetuo Sucorro De Melo House Number : 144 Age : 62 Gender : Male</p> <p>Photo Available</p>	<p>BTZ5450150</p>	<p>192</p> <p>Name : Joanita Fernandes Husbands Name : Hermogenes Antonio De Melo House Number : 144 Age : 55 Gender : Female</p> <p>Photo Available</p>	<p>BTZ5162532</p>
<p>193</p> <p>Name : Charlotte De Melo Fathers Name : Hermogenes Antonio De Melo House Number : 144 Age : 27 Gender : Female</p> <p>Photo Available</p>	<p>YDX0405472</p>	<p>194</p> <p>Name : charmaine De melo Fathers Name : Hermogenes Antonio De Melo House Number : 144 Age : 25 Gender : Female</p> <p>Photo Available</p>	<p>YDX0422634</p>	<p>195</p> <p>Name : Sedhanath Bande Fathers Name : Vinayak Bande House Number : 145 Age : 60 Gender : Male</p> <p>Photo Available</p>	<p>YDX0430587</p>
<p>196</p> <p>Name : Devidas Bande Fathers Name : Vinayak Bande House Number : 145 Age : 58 Gender : Male</p> <p>Photo Available</p>	<p>YDX0304311</p>	<p>197</p> <p>Name : David Jovito D'Mello Fathers Name : Mateus D'Mello House Number : 146/A Age : 31 Gender : Male</p> <p>Photo Available</p>	<p>YDX0387431</p>	<p>198</p> <p>Name : Cynthia Mascarenhas Husbands Name : Francisco Xavier De Melo House Number : 147/A Age : 50 Gender : Female</p> <p>Photo Available</p>	<p>YDX0203869</p>
<p>199</p> <p>Name : Rizza Antonina De Melo Fathers Name : Francisco Xavier De Melo House Number : 147/A Age : 20 Gender : Female</p> <p>Photo Available</p>	<p>YDX0520262</p>	<p>200</p> <p>Name : Remetina Morais Husbands Name : Jose Maria Agostinho Rozario Fernandes House Number : 148 Age : 65 Gender : Female</p> <p>Photo Available</p>	<p>YDX0292854</p>	<p>201</p> <p>Name : Maclina Fernandes Fathers Name : Jose Maria Agustino R. Fernandes House Number : 148 Age : 42 Gender : Female</p> <p>Photo Available</p>	<p>YDX0371047</p>
<p>202</p> <p>Name : Viraj Kankonker Fathers Name : Gopinath Kankonker House Number : 150 Age : 34 Gender : Male</p> <p>Photo Available</p>	<p>YDX0360545</p>	<p>203</p> <p>Name : Girija Kankonkar Husbands Name : Gopinath Kankonkar House Number : 150/A Age : 57 Gender : Female</p> <p>Photo Available</p>	<p>YDX0427385</p>	<p>204</p> <p>Name : Babani Mayekar Fathers Name : Anand Mayekar House Number : 151 Age : 53 Gender : Male</p> <p>Photo Available</p>	<p>BTZ1780022</p>
<p>205</p> <p>Name : Satish Mayakar Fathers Name : Anand Mayakar House Number : 151 Age : 51 Gender : Male</p> <p>Photo Available</p>	<p>BTZ1780030</p>	<p>206</p> <p>Name : Madhukar Mayekar Fathers Name : Anand Mayekar House Number : 151 Age : 49 Gender : Male</p> <p>Photo Available</p>	<p>YDX0430538</p>	<p>207</p> <p>Name : Darshana Komarpant Fathers Name : Gopinath Komarpant House Number : 153 Age : 52 Gender : Female</p> <p>Photo Available</p>	<p>YDX0430512</p>
<p>208</p> <p>Name : Reshma Komarpant Fathers Name : Gopinath Komarpant House Number : 153 Age : 47 Gender : Female</p> <p>Photo Available</p>	<p>YDX0180265</p>	<p>209</p> <p>Name : Gurudas Komarpant Fathers Name : Gopinath Komarpant House Number : 153 Age : 43 Gender : Male</p> <p>Photo Available</p>	<p>BTZ1780337</p>	<p>210</p> <p>Name : Prashant Komarpant Fathers Name : Ganapati Komarpant House Number : 153/A Age : 60 Gender : Male</p> <p>Photo Available</p>	<p>BTZ1780113</p>

**Assembly Constituency No and Name : 40-CANACONA**  
**Section No and Name 1-Near Pagi Samaj Hall / G.M. School, Palolem (Part)**

**Part No. : 15**

<p>211</p> <p>BTZ5163498</p> <p>Name : Shantipriya Komarpant                      Husbands Name: Prashant Komarpant                      House Number : 153/A                      Age : 56 Gender : Female</p> <p>Photo</p> <p>Available</p>	<p>212</p> <p>BTZ0156091</p> <p>Name : Surendra Komarpant                      Fathers Name: Ganapati Komarpant                      House Number : 153/A                      Age : 53 Gender : Male</p> <p>Photo</p> <p>Available</p>	<p>213</p> <p>YDX0430504</p> <p>Name : Shashikant Komarpant                      Fathers Name: Ganapati Komarpant                      House Number : 153/A                      Age : 51 Gender : Male</p> <p>Photo</p> <p>Available</p>
<p>214</p> <p>REX0124784</p> <p>Name : Shradha Komarpant                      Husbands Name: Surendra Komarpant                      House Number : 153/A                      Age : 47 Gender : Female</p> <p>Photo</p> <p>Available</p>	<p>215</p> <p>FDW6013130</p> <p>Name : Prashila Komarpant                      Husbands Name: Shashikant Komarpant                      House Number : 153/A                      Age : 40 Gender : Female</p> <p>Photo</p> <p>Available</p>	<p>216</p> <p>YDX0490730</p> <p>Name : Saish Komarpant                      Fathers Name: Prashant Komarpant                      House Number : 153/A                      Age : 25 Gender : Male</p> <p>Photo</p> <p>Available</p>
<p>217</p> <p>YDX0503136</p> <p>Name : Shashank Komarpant                      Fathers Name: Prashant Komarpant                      House Number : 153/A                      Age : 23 Gender : Male</p> <p>Photo</p> <p>Available</p>	<p>218</p> <p>YDX0434324</p> <p>Name : Uday Naik                      Fathers Name: Vithoba Naik                      House Number : 153/B                      Age : 64 Gender : Male</p> <p>Photo</p> <p>Available</p>	<p>219</p> <p>YDX0434316</p> <p>Name : Ujwala Naik                      Husbands Name: Uday Naik                      House Number : 153/B                      Age : 59 Gender : Female</p> <p>Photo</p> <p>Available</p>
<p>220</p> <p>YDX0499467</p> <p>Name : Vikita Naik                      Fathers Name: Uday Naik                      House Number : 153/B                      Age : 24 Gender : Female</p> <p>Photo</p> <p>Available</p>	<p>221</p> <p>YDX0385401</p> <p>Name : Sonali Naik                      Fathers Name: Uday Naik                      House Number : 154/A                      Age : 30 Gender : Female</p> <p>Photo</p> <p>Available</p>	<p>222</p> <p>BTZ1780709</p> <p>Name : Jagdish Komarpant                      Fathers Name: Ganapati Komarpant                      House Number : 154/B                      Age : 59 Gender : Male</p> <p>Photo</p> <p>Available</p>
<p>223</p> <p>YDX0434308</p> <p>Name : Sunita Komarpant                      Husbands Name: Jagdish Komarpant                      House Number : 154/B                      Age : 57 Gender : Female</p> <p>Photo</p> <p>Available</p>	<p>224</p> <p>YDX0382275</p> <p>Name : Akash Komarpant                      Fathers Name: Jagdish Komarpant                      House Number : 154/B                      Age : 30 Gender : Male</p> <p>Photo</p> <p>Available</p>	<p>225</p> <p>YDX0410167</p> <p>Name : Riya Komarpant                      Fathers Name: Jagdish Komarpant                      House Number : 154/B                      Age : 27 Gender : Female</p> <p>Photo</p> <p>Available</p>
<p>226</p> <p>YDX0171694</p> <p>Name : Suresh Kankonkar                      Fathers Name: Ganaba Kankonkar                      House Number : 155                      Age : 76 Gender : Male</p> <p>Photo</p> <p>Available</p>	<p>227</p> <p>YDX0434290</p> <p>Name : Sarita Kankonkar                      Husbands Name: Suresh Kankonkar                      House Number : 155                      Age : 69 Gender : Female</p> <p>Photo</p> <p>Available</p>	<p>228</p> <p>BTZ5451901</p> <p>Name : Sandesh Kankonkar                      Fathers Name: Suresh Kankonkar                      House Number : 155                      Age : 43 Gender : Male</p> <p>Photo</p> <p>Available</p>
<p>229</p> <p>NZM5222245</p> <p>Name : Sheetal Sandesh Kankonkar                      Husbands Name: Sandesh Kankonkar                      House Number : 155                      Age : 38 Gender : Female</p> <p>Photo</p> <p>Available</p>	<p>230</p> <p>ROP0166611</p> <p>Name : Narsinha Bandari                      Fathers Name: Siva Bandari                      House Number : 155/1                      Age : 76 Gender : Male</p> <p>Photo</p> <p>Available</p>	<p>231</p> <p>YDX0434100</p> <p>Name : Nalini Bhandari                      Husbands Name: Tulshidas Bhandari                      House Number : 157                      Age : 68 Gender : Female</p> <p>Photo</p> <p>Available</p>
<p>232</p> <p>BTZ5475827</p> <p>Name : Raviraj Bhandari                      Fathers Name: Tulshidas Bhandari                      House Number : 157                      Age : 38 Gender : Male</p> <p>Photo</p> <p>Available</p>	<p>233</p> <p>BTZ3402526</p> <p>Name : AMARAJ TULSHIDAS BHANDARI                      Fathers Name: Tulshidas Bhandari                      House Number : 158                      Age : 40 Gender : Male</p> <p>Photo</p> <p>Available</p>	<p>234</p> <p>THU0261693</p> <p>Name : Rashvika Bhandari                      Husbands Name: Raviraj Bhandari                      House Number : 158                      Age : 34 Gender : Female</p> <p>Photo</p> <p>Available</p>
<p>235</p> <p>YDX0292847</p> <p>Name : Devika Soiru Naique Dessai                      Husbands Name: Soiru Naique Dessai                      House Number : 160                      Age : 63 Gender : Female</p> <p>Photo</p> <p>Available</p>	<p>236</p> <p>BTZ3402518</p> <p>Name : Laxndra Desai                      Fathers Name: Uday Desai                      House Number : 160                      Age : 43 Gender : Male</p> <p>Photo</p> <p>Available</p>	<p>237</p> <p>YDX0354100</p> <p>Name : Yogendra Dessai                      Fathers Name: Soiru Dessai                      House Number : 160                      Age : 37 Gender : Male</p> <p>Photo</p> <p>Available</p>
<p>238</p> <p>TRW0277988</p> <p>Name : Vrushali Dessai                      Husbands Name: Yogendra Dessai                      House Number : 160                      Age : 35 Gender : Female</p> <p>Photo</p> <p>Available</p>	<p>239</p> <p>TUH0314005</p> <p>Name : Priyanka Desai                      Husbands Name: Laxendra Desai                      House Number : 160                      Age : 32 Gender : Female</p> <p>Photo</p> <p>Available</p>	<p>240</p> <p>YPI0425009</p> <p>Name : CHANDRAKANT DESAI                      Fathers Name: BABU SOIRU DESAI                      House Number : 160/A                      Age : 69 Gender : Male</p> <p>Photo</p> <p>Available</p>

**Assembly Constituency No and Name : 40-CANACONA  
Section No and Name 1-Near Pagi Samaj Hall / G.M. School, Palolem (Part)**

**Part No. : 15**

<p>241</p> <p>YPI0431478</p> <p>Name : CHANDRALEKHA CHANDRAKANT DESAI Husbands Name : CHANDRAKANT DESAI House Number : 160/A Age : 65 Gender : Female</p> <p>Photo Available</p>	<p>242</p> <p>YDX0434092</p> <p>Name : Surat Desai Husbands Name : Umesh Desai House Number : 160/C Age : 56 Gender : Female</p> <p>Photo Available</p>	<p>243</p> <p>BTZ5164215</p> <p>Name : Shashanka Desai Husbands Name : Shashikant Desai House Number : 161 Age : 55 Gender : Female</p> <p>Photo Available</p>
<p>244</p> <p>YDX0382267</p> <p>Name : Vikrant Dessai Fathers Name : Shashikant Dessai House Number : 161 Age : 30 Gender : Male</p> <p>Photo Available</p>	<p>245</p> <p>YDX0418145</p> <p>Name : Mallikesh Dessai Fathers Name : Shashikant Dessai House Number : 161 Age : 26 Gender : Male</p> <p>Photo Available</p>	<p>246</p> <p>YDX0474932</p> <p>Name : Gurudas Desai Fathers Name : Shanu Desai House Number : 161/A Age : 79 Gender : Male</p> <p>Photo Available</p>
<p>247</p> <p>BTZ5164231</p> <p>Name : Sujay Desai Fathers Name : Gurudas Desai House Number : 161/A Age : 47 Gender : Male</p> <p>Photo Available</p>	<p>248</p> <p>BTZ5162425</p> <p>Name : Sonali Desai Fathers Name : Gurudas Desai House Number : 161/A Age : 46 Gender : Female</p> <p>Photo Available</p>	<p>249</p> <p>YDX0171728</p> <p>Name : Suhas Khule Fathers Name : Jaivant Khule House Number : 162 Age : 61 Gender : Male</p> <p>Photo Available</p>
<p>250</p> <p>YDX0474924</p> <p>Name : Amol Khole Fathers Name : Jaivant Khole House Number : 162 Age : 55 Gender : Male</p> <p>Photo Available</p>	<p>251</p> <p>BTZ5453444</p> <p>Name : Sunayna Khule Husbands Name : Suhas Khule House Number : 162 Age : 51 Gender : Female</p> <p>Photo Available</p>	<p>252</p> <p>YDX0370981</p> <p>Name : Apurva Khole Husbands Name : Amal Khole House Number : 162 Age : 41 Gender : Female</p> <p>Photo Available</p>
<p>253</p> <p>BTZ0155564</p> <p>Name : Mohini Bhandari Husbands Name : Mahadev Bhandari House Number : 162/A Age : 67 Gender : Female</p> <p>Photo Available</p>	<p>254</p> <p>YDX0474908</p> <p>Name : Sumant Khule Fathers Name : Yeshwant Khule House Number : 163 Age : 66 Gender : Male</p> <p>Photo Available</p>	<p>255</p> <p>YDX0292813</p> <p>Name : Ishwar Khule Fathers Name : Yeshwant Khule House Number : 163 Age : 59 Gender : Male</p> <p>Photo Available</p>
<p>256</p> <p>BTZ5167069</p> <p>Name : Hema Khule Husbands Name : Sumant Khule House Number : 163 Age : 59 Gender : Female</p> <p>Photo Available</p>	<p>257</p> <p>BTZ5167036</p> <p>Name : Pratiksha Khule Husbands Name : Ishwar Khule House Number : 163 Age : 56 Gender : Female</p> <p>Photo Available</p>	<p>258</p> <p>YDX0405225</p> <p>Name : Yeshwant Khule Fathers Name : Sumant Khule House Number : 163 Age : 27 Gender : Male</p> <p>Photo Available</p>
<p>259</p> <p>YDX0371039</p> <p>Name : Pushpa Jadhav Husbands Name : Ulkesh Jadhav House Number : 163/A Age : 49 Gender : Female</p> <p>Photo Available</p>	<p>260</p> <p>BTZ0155499</p> <p>Name : Ulkesh Jadhav Fathers Name : Shankar Jadhav House Number : 163/A Age : 47 Gender : Male</p> <p>Photo Available</p>	<p>261</p> <p>BTZ0155655</p> <p>Name : Ajit Jadhav Fathers Name : Shankar Jadhav House Number : 163/A Age : 43 Gender : Male</p> <p>Photo Available</p>
<p>262</p> <p>YDX0180752</p> <p>Name : Somnath Bhandari Fathers Name : Laxman Bhandari House Number : 164 Age : 69 Gender : Male</p> <p>Photo Available</p>	<p>263</p> <p>BTZ0155580</p> <p>Name : Shama Bhandari Fathers Name : Somnath Bhandari House Number : 164 Age : 60 Gender : Female</p> <p>Photo Available</p>	<p>264</p> <p>YDX0285387</p> <p>Name : Deepak Bhandari Fathers Name : Soiru Bhandari House Number : 165 Age : 57 Gender : Male</p> <p>Photo Available</p>
<p>265</p> <p>BTZ5469622</p> <p>Name : Sarita Bhandari Husbands Name : Deepak Bhandari House Number : 165 Age : 50 Gender : Female</p> <p>Photo Available</p>	<p>266</p> <p>YDX0387423</p> <p>Name : Kanishka Bhandari Fathers Name : Somnath Bhandari House Number : 165/2 Age : 30 Gender : Female</p> <p>Photo Available</p>	<p>267</p> <p>YDX0396887</p> <p>Name : Khushboo Bhandari Fathers Name : Somnath Bhandari House Number : 165/2 Age : 28 Gender : Female</p> <p>Photo Available</p>
<p>268</p> <p>YDX0474890</p> <p>Name : Savita Matonkar Husbands Name : Raghunath Matonkar House Number : 166 Age : 83 Gender : Female</p> <p>Photo Available</p>	<p>269</p> <p>YDX0474882</p> <p>Name : Sitabai Bolnekar Husbands Name : Ramchandra Bolnekar House Number : 170 Age : 92 Gender : Female</p> <p>Photo Available</p>	<p>270</p> <p>YDX0474759</p> <p>Name : Balu Bolnekar Fathers Name : Laxman Bolnekar House Number : 170 Age : 55 Gender : Male</p> <p>Photo Available</p>

<p>271</p> <p>BTZ0155622</p> <p>Name : Rupesh Bolnekar Fathers Name: Ramchandra Bolnekar House Number : 170 Age : 53 Gender : Male</p> <p>Photo</p> <p>Available</p>	<p>272</p> <p>BTZ5164280</p> <p>Name : Beena Bholnekar Husbands Name: Balu Bholnekar House Number : 170 Age : 52 Gender : Female</p> <p>Photo</p> <p>Available</p>	<p>273</p> <p>BTZ0155648</p> <p>Name : Dipesh Bolnekar Fathers Name: Ramchandra Bolnekar House Number : 170 Age : 47 Gender : Male</p> <p>Photo</p> <p>Available</p>
<p>274</p> <p>YDX0369736</p> <p>Name : Rajashree Bholnekar Husbands Name: Rupesh Bholnekar House Number : 170 Age : 43 Gender : Female</p> <p>Photo</p> <p>Available</p>	<p>275</p> <p>YDX0474742</p> <p>Name : Laxman Bholekar Fathers Name: Balu Bholekar House Number : 170/A Age : 97 Gender : Male</p> <p>Photo</p> <p>Available</p>	<p>276</p> <p>YDX0414011</p> <p>Name : Nikhil Bholnekar Fathers Name: Balu Bholnekar House Number : 170/A Age : 26 Gender : Male</p> <p>Photo</p> <p>Available</p>
<p>277</p> <p>YDX0495069</p> <p>Name : Navadeep Bholnekar Fathers Name: Balu Bholnekar House Number : 170/A Age : 23 Gender : Male</p> <p>Photo</p> <p>Available</p>	<p>278</p> <p>YDX0474726</p> <p>Name : Prakash Bholnekar Fathers Name: Shivram Bholnekar House Number : 170/C Age : 73 Gender : Male</p> <p>Photo</p> <p>Available</p>	<p>279</p> <p>BTZ1780527</p> <p>Name : Nalini Prakash Bholnekar Husbands Name: Prakash Bholnekar House Number : 170/C Age : 65 Gender : Female</p> <p>Photo</p> <p>Available</p>
<p>280</p> <p>BTZ5163134</p> <p>Name : Shailaja Dudal Husbands Name: Shankar Dudal House Number : 171 Age : 66 Gender : Female</p> <p>Photo</p> <p>Available</p>	<p>281</p> <p>BTZ5452743</p> <p>Name : Dipesh Pagui Fathers Name: Dilip Pagui House Number : 171/1 Age : 39 Gender : Male</p> <p>Photo</p> <p>Available</p>	<p>282</p> <p>BTZ1765106</p> <p>Name : Rajesh Dhuri Fathers Name: Anant Dhuri House Number : 171/2 Age : 44 Gender : Male</p> <p>Photo</p> <p>Available</p>
<p>283</p> <p>BTZ1765056</p> <p>Name : Jayesh Pagi Fathers Name: Anant Pagi House Number : 171/2 Age : 43 Gender : Male</p> <p>Photo</p> <p>Available</p>	<p>284</p> <p>YDX0401018</p> <p>Name : Pratiksha Dhuri Husbands Name: Rajesh Dhuri House Number : 171/2 Age : 37 Gender : Female</p> <p>Photo</p> <p>Available</p>	<p>285</p> <p>YDX0385419</p> <p>Name : Jasmita Pagi Husbands Name: Jayesh Pagi House Number : 171/2 Age : 33 Gender : Female</p> <p>Photo</p> <p>Available</p>
<p>Q 286</p> <p>BTZ5451141</p> <p>Name : Ishwar Jadhav Fathers Name: Ramappa Jadhav House Number : 171/3 Age : 61 Gender : Male</p> <p>Photo</p> <p>Available</p>	<p>Q 287</p> <p>BTZ5453345</p> <p>Name : Shilava Jadhav Husbands Name: Ishwar Jadhav House Number : 171/3 Age : 51 Gender : Female</p> <p>Photo</p> <p>Available</p>	<p>288</p> <p>BTZ5166830</p> <p>Name : Reshma Bholnekar Desai Husbands Name: Pandhri Bholnekar Desai House Number : 172 Age : 56 Gender : Female</p> <p>Photo</p> <p>Available</p>
<p>289</p> <p>YDX0424119</p> <p>Name : Gadadhar Raut Fathers Name: Banch Raut House Number : 172 Age : 46 Gender : Male</p> <p>Photo</p> <p>Available</p>	<p>290</p> <p>YDX0424127</p> <p>Name : Shalan Raut Husbands Name: Gadadhar Raut House Number : 172 Age : 43 Gender : Female</p> <p>Photo</p> <p>Available</p>	<p>291</p> <p>YDX0375576</p> <p>Name : Jeet Naik Bholnekar Fathers Name: Pandhari Naik Bholnekar House Number : 172 Age : 31 Gender : Male</p> <p>Photo</p> <p>Available</p>
<p>292</p> <p>YDX0403386</p> <p>Name : Mamta Pujari Fathers Name: Mahableshwar Pujari House Number : 172 Age : 28 Gender : Female</p> <p>Photo</p> <p>Available</p>	<p>293</p> <p>BTZ5453402</p> <p>Name : Meena Bholnekar Husbands Name: Ulhas Bholnekar House Number : 174/A Age : 55 Gender : Female</p> <p>Photo</p> <p>Available</p>	<p>294</p> <p>YDX0474635</p> <p>Name : Dattaram Bholnekar Fathers Name: Sadashiv Bholnekar House Number : 175 Age : 62 Gender : Male</p> <p>Photo</p> <p>Available</p>
<p>295</p> <p>BTZ5477211</p> <p>Name : Gajanan Bholnekar Fathers Name: Sadasaiv Bholnekar House Number : 175 Age : 56 Gender : Male</p> <p>Photo</p> <p>Available</p>	<p>296</p> <p>YDX0318253</p> <p>Name : Reshma Bholnekar Husbands Name: Gajanan Bholnekar House Number : 175 Age : 54 Gender : Female</p> <p>Photo</p> <p>Available</p>	<p>297</p> <p>BTZ5451414</p> <p>Name : Amita Bholnekar Husbands Name: Dattaram Bholnekar House Number : 175 Age : 54 Gender : Female</p> <p>Photo</p> <p>Available</p>
<p>298</p> <p>YDX0395772</p> <p>Name : Shaunak Bholnekar Fathers Name: Dattaram Bholnekar House Number : 175 Age : 30 Gender : Male</p> <p>Photo</p> <p>Available</p>	<p>299</p> <p>YDX0405480</p> <p>Name : Akshavi Bholnekar Fathers Name: Dattaram Bholnekar House Number : 175 Age : 28 Gender : Female</p> <p>Photo</p> <p>Available</p>	<p>300</p> <p>YDX0427138</p> <p>Name : Govind Komarpant Fathers Name: Giru Komarpant House Number : 176 Age : 66 Gender : Male</p> <p>Photo</p> <p>Available</p>

<p>301</p> <p>BTZ5163423</p> <p>Name : Geeta Komarpant Husbands Name: Govind Komarpant House Number : 176 Age : 57 Gender : Female</p> <p>Photo Available</p>	<p>302</p> <p>YDX0320168</p> <p>Name : Ulanda Komarpant Fathers Name: Giru Komarpant House Number : 176 Age : 56 Gender : Female</p> <p>Photo Available</p>	<p>303</p> <p>YDX0402578</p> <p>Name : Goutam Komarpant Fathers Name: Govind Komarpant House Number : 176 Age : 28 Gender : Male</p> <p>Photo Available</p>
<p>304</p> <p>YDX0428011</p> <p>Name : Gaurav Komarpant Fathers Name: Govind Komarpant House Number : 176 Age : 24 Gender : Male</p> <p>Photo Available</p>	<p>305</p> <p>YDX0474593</p> <p>Name : Subhash Komarpant Fathers Name: Giru Komarpant House Number : 176A Age : 64 Gender : Male</p> <p>Photo Available</p>	<p>306</p> <p>BTZ5163431</p> <p>Name : Supriya Subhash Komarpant Husbands Name: Subhash Komarpant House Number : 176a Age : 58 Gender : Female</p> <p>Photo Available</p>
<p>307</p> <p>YDX0405514</p> <p>Name : Sumeetkumar Komarpant Fathers Name: Subhash Komarpant House Number : 176a Age : 28 Gender : Male</p> <p>Photo Available</p>	<p>308</p> <p>YDX0495093</p> <p>Name : Sunidhi Komarpant Fathers Name: Subhash Komarpant House Number : 176/A Age : 23 Gender : Female</p> <p>Photo Available</p>	<p>309</p> <p>YDX0474619</p> <p>Name : Sandeep Komarpant Fathers Name: Giru Komarpant House Number : 176 A Age : 61 Gender : Male</p> <p>Photo Available</p>
<p>310</p> <p>YDX0474601</p> <p>Name : Suvarna Komarpant Husbands Name: Sandip Komarpant House Number : 176/ A Age : 62 Gender : Female</p> <p>Photo Available</p>	<p>311</p> <p>YDX0474577</p> <p>Name : Urmila Komarpant Husbands Name: Laxman Komarpant House Number : 177 Age : 71 Gender : Female</p> <p>Photo Available</p>	<p>312</p> <p>BTZ0340067</p> <p>Name : Dinesh Komarpant Fathers Name: Laxman Komarpant House Number : 177 Age : 45 Gender : Male</p> <p>Photo Available</p>
<p>313</p> <p>BTZ5163514</p> <p>Name : Augusta Margarida Carvalho Husbands Name: Nicolau Dourado House Number : 179 Age : 59 Gender : Female</p> <p>Photo Available</p>	<p>314</p> <p>YDX0474486</p> <p>Name : Catarina Fernandes Husbands Name: Jose Fernandes House Number : 183 Age : 81 Gender : Female</p> <p>Photo Available</p>	<p>315</p> <p>YDX0180190</p> <p>Name : Santan Fernandes Fathers Name: Jose Fernandes House Number : 183 Age : 59 Gender : Female</p> <p>Photo Available</p>
<p>316</p> <p>YDX0355073</p> <p>Name : Sebastiana Da'Silva Husbands Name: Joaquim Jesneto Da'Silva House Number : 183 Age : 56 Gender : Female</p> <p>Photo Available</p>	<p>317</p> <p>YDX0357756</p> <p>Name : Rita Fernandes Fathers Name: Jose Fernandes House Number : 183 Age : 51 Gender : Female</p> <p>Photo Available</p>	<p>318</p> <p>YDX0474478</p> <p>Name : Prakash Raut Desai Fathers Name: Hari Raut Desai House Number : 184/1 Age : 73 Gender : Male</p> <p>Photo Available</p>
<p>319</p> <p>YDX0474460</p> <p>Name : Akalpita Raut Desai Husbands Name: Prakash Raut Desai House Number : 184/1 Age : 67 Gender : Female</p> <p>Photo Available</p>	<p>320</p> <p>BTZ0153031</p> <p>Name : Ashutosh Raut Desai Fathers Name: Prakash Raut Desai House Number : 184/1 Age : 46 Gender : Male</p> <p>Photo Available</p>	<p>321</p> <p>YDX0403378</p> <p>Name : Jyotsna Raut Desai Husbands Name: Ashutosh Raut Desai House Number : 184/1 Age : 40 Gender : Female</p> <p>Photo Available</p>
<p>322</p> <p>YDX0474452</p> <p>Name : Nilu Naik Fathers Name: Sundar Naik House Number : 186 Age : 61 Gender : Male</p> <p>Photo Available</p>	<p>323</p> <p>BTZ1781079</p> <p>Name : Nikita Naik Husbands Name: Nilu Naik House Number : 186 Age : 56 Gender : Female</p> <p>Photo Available</p>	<p>324</p> <p>YDX0396895</p> <p>Name : Krishna Naik Fathers Name: Nilu Naik House Number : 186 Age : 28 Gender : Male</p> <p>Photo Available</p>
<p>325</p> <p>YDX0425538</p> <p>Name : Krutika Naik Fathers Name: Nilu Naik House Number : 186 Age : 25 Gender : Female</p> <p>Photo Available</p>	<p>326</p> <p>YDX0495119</p> <p>Name : Sakshi Naik Fathers Name: Nilu Naik House Number : 186 Age : 24 Gender : Female</p> <p>Photo Available</p>	<p>327</p> <p>BTZ1780154</p> <p>Name : Gajanan Naik Fathers Name: Satish Naik House Number : 186/A Age : 55 Gender : Male</p> <p>Photo Available</p>
<p>328</p> <p>BTZ0156364</p> <p>Name : Hema Naik Husbands Name: Gajanan Naik House Number : 186/A Age : 53 Gender : Female</p> <p>Photo Available</p>	<p>329</p> <p>BTZ1546191</p> <p>Name : Nitin Naik Fathers Name: Satish Naik House Number : 186/A Age : 48 Gender : Male</p> <p>Photo Available</p>	<p>330</p> <p>BTZ5453279</p> <p>Name : Neha Naik Husbands Name: Nitin Naik House Number : 186/A Age : 46 Gender : Female</p> <p>Photo Available</p>

<p>331</p> <p>YDX0423541</p> <p>Name : Gaurav Naik Fathers Name: Gajanan Naik House Number : 186/a Age : 25 Gender : Male</p> <p>Photo Available</p>	<p>332</p> <p>YDX0495077</p> <p>Name : Sakshi Naik Fathers Name: Gajanan Naik House Number : 186/A Age : 24 Gender : Female</p> <p>Photo Available</p>	<p>333</p> <p>YDX0515403</p> <p>Name : Achal Nitin Naik Fathers Name: Nitin Naik House Number : 186/A Age : 21 Gender : Female</p> <p>Photo Available</p>
<p>334</p> <p>BTZ5164702</p> <p>Name : Pradnya Naik Husbands Name: Pramod Naik House Number : 187 Age : 59 Gender : Female</p> <p>Photo Available</p>	<p>335</p> <p>YDX0174177</p> <p>Name : Pramod Naik Fathers Name: Babu Naik House Number : 187 Age : 58 Gender : Male</p> <p>Photo Available</p>	<p>336</p> <p>YDX0474411</p> <p>Name : Manoj Naik Fathers Name: Babu Naik House Number : 187 Age : 56 Gender : Male</p> <p>Photo Available</p>
<p>337</p> <p>BTZ1780089</p> <p>Name : Mrunali Naik Husbands Name: Manoj Naik House Number : 187 Age : 54 Gender : Female</p> <p>Photo Available</p>	<p>338</p> <p>YDX0427997</p> <p>Name : Prutha Naik Fathers Name: Pramod Naik House Number : 187 Age : 24 Gender : Female</p> <p>Photo Available</p>	<p>339</p> <p>YDX0495051</p> <p>Name : Manasi Naik Fathers Name: Manoj Naik House Number : 187/B Age : 23 Gender : Female</p> <p>Photo Available</p>
<p>340</p> <p>YDX0474403</p> <p>Name : Umesh Naik Mothers Name: Owwal Naik House Number : 188 Age : 68 Gender : Male</p> <p>Photo Available</p>	<p>341</p> <p>BTZ0156513</p> <p>Name : Sujata Naik Husbands Name: Umesh Naik House Number : 188 Age : 62 Gender : Female</p> <p>Photo Available</p>	<p>342</p> <p>BTZ2167534</p> <p>Name : Archana Kamat Husbands Name: Ajay Kamat House Number : 188 Age : 54 Gender : Female</p> <p>Photo Available</p>
<p>343</p> <p>YDX0353763</p> <p>Name : Adarsh Kamat Fathers Name: Umesh Kamat House Number : 188 Age : 33 Gender : Male</p> <p>Photo Available</p>	<p>344</p> <p>YDX0395590</p> <p>Name : Shloka Kamat Fathers Name: Umesh Kamat House Number : 188 Age : 29 Gender : Female</p> <p>Photo Available</p>	<p>345</p> <p>YDX0418152</p> <p>Name : Saiesh Kamat Fathers Name: Ajay Kamat House Number : 188 Age : 26 Gender : Male</p> <p>Photo Available</p>
<p>346</p> <p>YDX0171595</p> <p>Name : Ragini Bahdekar Husbands Name: Ramdas Bahdekar House Number : 189 Age : 76 Gender : Female</p> <p>Photo Available</p>	<p>347</p> <p>BTZ0155481</p> <p>Name : Ramakant Bandekar Fathers Name: Vithoba Bandekar House Number : 189 Age : 75 Gender : Male</p> <p>Photo Available</p>	<p>348</p> <p>BTZ0155994</p> <p>Name : Rasika Bandekar Husbands Name: Ramakant Bandekar House Number : 189 Age : 69 Gender : Female</p> <p>Photo Available</p>
<p>349</p> <p>BTZ0156232</p> <p>Name : Premanand Bandekar Fathers Name: Vithoba Bandekar House Number : 189 Age : 61 Gender : Male</p> <p>Photo Available</p>	<p>350</p> <p>BTZ5453105</p> <p>Name : Kalapana Bandekar Husbands Name: Pramanand Bandekar House Number : 189 Age : 59 Gender : Female</p> <p>Photo Available</p>	<p>351</p> <p>YDX0474395</p> <p>Name : Santosh Bandekar Fathers Name: Vithoba Bandekar House Number : 189 Age : 58 Gender : Male</p> <p>Photo Available</p>
<p>352</p> <p>YDX0474361</p> <p>Name : Manjunath Bandekar Fathers Name: Vithoba Bandekar House Number : 189 Age : 56 Gender : Male</p> <p>Photo Available</p>	<p>353</p> <p>BTZ5453378</p> <p>Name : Varsha Bandekar Husbands Name: Manjunath Bandekar House Number : 189 Age : 52 Gender : Female</p> <p>Photo Available</p>	<p>354</p> <p>BTZ5450259</p> <p>Name : Shivanqi Bhandekar Husbands Name: Santosh Bhandekar House Number : 189 Age : 51 Gender : Female</p> <p>Photo Available</p>
<p>355</p> <p>YDX0360560</p> <p>Name : Shruti Bandekar Fathers Name: Ramakant Bandekar House Number : 189 Age : 32 Gender : Female</p> <p>Photo Available</p>	<p>356</p> <p>YDX0414003</p> <p>Name : Neeraj Bandekar Fathers Name: Manjunath Bandekar House Number : 189 Age : 26 Gender : Male</p> <p>Photo Available</p>	<p>357</p> <p>YDX0427989</p> <p>Name : Adnya Bandekar Fathers Name: Santosh Bandekar House Number : 189 Age : 24 Gender : Female</p> <p>Photo Available</p>
<p>358</p> <p>YDX0474353</p> <p>Name : Prakash Naik Mothers Name: Kalyani Naik House Number : 190 Age : 56 Gender : Male</p> <p>Photo Available</p>	<p>359</p> <p>BTZ5453360</p> <p>Name : Pratiksha Naik Husbands Name: Prakash Naik House Number : 190 Age : 51 Gender : Female</p> <p>Photo Available</p>	<p>360</p> <p>YDX0474346</p> <p>Name : Prashant Naik Fathers Name: Vishwanath Naik House Number : 190/A Age : 65 Gender : Male</p> <p>Photo Available</p>

<p>361</p> <p>BTZ5451687</p> <p>Name : Sheetal Naik Husbands Name: Prashant Naik House Number : 190/A Age : 61 Gender : Female</p> <p>Photo</p> <p>Available</p>	<p>362</p> <p>YDX0474338</p> <p>Name : Sagar Naik Fathers Name: Vishwanath Naik House Number : 190/A Age : 56 Gender : Male</p> <p>Photo</p> <p>Available</p>	<p># 363</p> <p>BTZ5451679</p> <p>Name : Siddhi Naik Husbands Name: Sagar Naik House Number : 190/A Age : 50 Gender : Female</p> <p>Photo</p> <p>Available</p>
<p>364</p> <p>BTZ5451711</p> <p>Name : Pratiksha Naik Fathers Name: Prashant Naik House Number : 190/A Age : 41 Gender : Female</p> <p>Photo</p> <p>Available</p>	<p>365</p> <p>YDX0375584</p> <p>Name : Mohit Naik Fathers Name: Prashant Naik House Number : 190/A Age : 31 Gender : Male</p> <p>Photo</p> <p>Available</p>	<p>366</p> <p>YDX0508440</p> <p>Name : Manjesh Naik Fathers Name: Sagar Naik House Number : 190/A Age : 21 Gender : Male</p> <p>Photo</p> <p>Available</p>
<p>367</p> <p>YDX0474254</p> <p>Name : Premavati Naik Husbands Name: Dhananjay Naik House Number : 191 Age : 86 Gender : Female</p> <p>Photo</p> <p>Available</p>	<p>368</p> <p>YDX0474320</p> <p>Name : Anand Bandekar Fathers Name: Dhananjay Bandekar House Number : 191 Age : 63 Gender : Male</p> <p>Photo</p> <p>Available</p>	<p>369</p> <p>YDX0292862</p> <p>Name : Shashikant Naik Fathers Name: Dhananjay Naik House Number : 191 Age : 60 Gender : Male</p> <p>Photo</p> <p>Available</p>
<p>370</p> <p>BTZ0156018</p> <p>Name : Manisha Naik Husbands Name: Meghnath Naik House Number : 191 Age : 59 Gender : Female</p> <p>Photo</p> <p>Available</p>	<p>371</p> <p>YDX0174078</p> <p>Name : Anupa Bandekar Husbands Name: Anand Bandekar House Number : 191 Age : 53 Gender : Female</p> <p>Photo</p> <p>Available</p>	<p>372</p> <p>BTZ5450671</p> <p>Name : Beena Naik Husbands Name: Shashikant Naik House Number : 191 Age : 53 Gender : Female</p> <p>Photo</p> <p>Available</p>
<p>373</p> <p>BTZ0155937</p> <p>Name : Chaya Naik Husbands Name: Ramesh Naik House Number : 191 Age : 51 Gender : Female</p> <p>Photo</p> <p>Available</p>	<p>374</p> <p>YDX0292870</p> <p>Name : Meghnath Naik Fathers Name: Dhananjay Naik House Number : 191 Age : 51 Gender : Male</p> <p>Photo</p> <p>Available</p>	<p>375</p> <p>BTZ1221910</p> <p>Name : Mandar Naik Fathers Name: Megnath Naik House Number : 191 Age : 40 Gender : Male</p> <p>Photo</p> <p>Available</p>
<p>376</p> <p>BTZ5450564</p> <p>Name : Dhananjay Bandekar Fathers Name: Anand Bandekar House Number : 191 Age : 39 Gender : Male</p> <p>Photo</p> <p>Available</p>	<p>377</p> <p>BTZ5450051</p> <p>Name : Akshay Naik Fathers Name: Meghnath Naik House Number : 191 Age : 39 Gender : Male</p> <p>Photo</p> <p>Available</p>	<p>378</p> <p>YDX0324244</p> <p>Name : Amey Bandekar Fathers Name: Anand Bandekar House Number : 191 Age : 35 Gender : Male</p> <p>Photo</p> <p>Available</p>
<p>379</p> <p>AQI0310763</p> <p>Name : Yogeeta Bandekar Husbands Name: Dhananjay Bandekar House Number : 191 Age : 33 Gender : Female</p> <p>Photo</p> <p>Available</p>	<p>380</p> <p>YDX0335448</p> <p>Name : Karishma Kankonkar Fathers Name: Ulhas Kankonkar House Number : 191 Age : 33 Gender : Female</p> <p>Photo</p> <p>Available</p>	<p>381</p> <p>YDX0405506</p> <p>Name : Rajat Naik Fathers Name: Ramesh Naik House Number : 191 Age : 27 Gender : Male</p> <p>Photo</p> <p>Available</p>
<p>382</p> <p>YDX0503102</p> <p>Name : Omkar Shashikant Naik Fathers Name: Shashikant Naik House Number : 191 Age : 22 Gender : Male</p> <p>Photo</p> <p>Available</p>	<p>383</p> <p>YDX0503128</p> <p>Name : Deesha Ramesh Naik Fathers Name: Ramesh Naik House Number : 191/c Age : 22 Gender : Female</p> <p>Photo</p> <p>Available</p>	<p>384</p> <p>YDX0349217</p> <p>Name : Arati Bandekar Fathers Name: Anand Bandekar House Number : 191/D Age : 33 Gender : Female</p> <p>Photo</p> <p>Available</p>
<p>385</p> <p>BTZ0156463</p> <p>Name : Ulhas Govind Naik Gaunkar Fathers Name: Govind Naik Gaunkar House Number : 193/A Age : 66 Gender : Male</p> <p>Photo</p> <p>Available</p>	<p>386</p> <p>YDX0474239</p> <p>Name : Beena Ulhas Naik Gaunkar Husbands Name: Ulhas Naik Gaunkar House Number : 193/A Age : 61 Gender : Female</p> <p>Photo</p> <p>Available</p>	<p>387</p> <p>BTZ1721182</p> <p>Name : Akhil Naik Gaunkar Fathers Name: Ulhas Naik Gaunkar House Number : 193/A Age : 42 Gender : Male</p> <p>Photo</p> <p>Available</p>
<p>388</p> <p>BTZ4959656</p> <p>Name : Nikhil Desai Fathers Name: Ulhas Desai House Number : 193/a Age : 40 Gender : Male</p> <p>Photo</p> <p>Available</p>	<p>389</p> <p>YDX0204040</p> <p>Name : Kapil Naik Gaunkar Fathers Name: Ulhas Naik Gaunkar House Number : 193/A Age : 36 Gender : Male</p> <p>Photo</p> <p>Available</p>	<p>390</p> <p>YDX0424432</p> <p>Name : Supriya Naik Husbands Name: Nikhil Naik House Number : 193/A Age : 36 Gender : Female</p> <p>Photo</p> <p>Available</p>

<p>391</p> <p>ISD4372645</p> <p>Name : Sanchita Anil Naik                      Fathers Name: Anil Naik                      House Number : 193/A                      Age : 33 Gender : Female</p> <p>Photo Available</p>	<p>392</p> <p>NZM4402715</p> <p>Name : Akshara Naik Gaonkar                      Husbands Name: Akhil Naik Gaonkar                      House Number : 193/A                      Age : 33 Gender : Female</p> <p>Photo Available</p>	<p>393</p> <p>YDX0474130</p> <p>Name : Dayanand Naik Gaonkar                      Fathers Name: Shankar Naik Gaonkar                      House Number : 193/B                      Age : 60 Gender : Male</p> <p>Photo Available</p>
<p>394</p> <p>BTZ5452594</p> <p>Name : Rupa Naik Gaonkar                      Husbands Name: Dayanand Naik Gaonkar                      House Number : 193/B                      Age : 51 Gender : Female</p> <p>Photo Available</p>	<p>395</p> <p>YDX0401968</p> <p>Name : Sarvada Naik Gaonkar                      Fathers Name: Dayanand Naik Gaonkar                      House Number : 193/B                      Age : 29 Gender : Female</p> <p>Photo Available</p>	<p>396</p> <p>YDX0428029</p> <p>Name : Shubesh Naik Gaonkar                      Fathers Name: Dayanand Naik Gaonkar                      House Number : 193/B                      Age : 24 Gender : Male</p> <p>Photo Available</p>
<p>397</p> <p>BTZ0155689</p> <p>Name : Prashant Naik Gaonkar                      Fathers Name: Eso Naik Gaonkar                      House Number : 195                      Age : 57 Gender : Male</p> <p>Photo Available</p>	<p>398</p> <p>BTZ5453071</p> <p>Name : Seema Naik Gaonkar                      Husbands Name: Prashant Naik Gaonkar                      House Number : 195                      Age : 50 Gender : Female</p> <p>Photo Available</p>	<p>399</p> <p>YDX0515429</p> <p>Name : Mallinath Prashant Naik Gaonkar                      Fathers Name: Prashant Naik Gaonkar                      House Number : 195                      Age : 20 Gender : Male</p> <p>Photo Available</p>
<p>400</p> <p>YDX0292656</p> <p>Name : Viratna Naik Gaonkar                      Fathers Name: Yesso Naik Gaonkar                      House Number : 196                      Age : 68 Gender : Male</p> <p>Photo Available</p>	<p>401</p> <p>BTZ0155929</p> <p>Name : Meghna Naik Gaonkar                      Fathers Name: Dilkhush Naik Gaonkar                      House Number : 196                      Age : 67 Gender : Male</p> <p>Photo Available</p>	<p>402</p> <p>BTZ5471149</p> <p>Name : Zatraj Naik Gaonkar                      Fathers Name: Dilkhush Naik Gaonkar                      House Number : 196                      Age : 38 Gender : Male</p> <p>Photo Available</p>
<p>403</p> <p>YDX0324269</p> <p>Name : Viraj Naik Gaonkar                      Fathers Name: Dilkhush Naik Gaonkar                      House Number : 196                      Age : 34 Gender : Male</p> <p>Photo Available</p>	<p>404</p> <p>ZEV0326140</p> <p>Name : Gayatri Zatraj Naik Gaonkar                      Husbands Name: Zatraj Naik Gaonkar                      House Number : 196                      Age : 32 Gender : Female</p> <p>Photo Available</p>	<p>405</p> <p>BTZ5476460</p> <p>Name : Manda Desai                      Fathers Name: Purshottam Desai                      House Number : 197                      Age : 62 Gender : Female</p> <p>Photo Available</p>
<p>406</p> <p>YDX0292797</p> <p>Name : Shanu Desai                      Fathers Name: Purshottam Desai                      House Number : 197                      Age : 59 Gender : Male</p> <p>Photo Available</p>	<p>407</p> <p>BTZ5165659</p> <p>Name : Shanti Dessai                      Husbands Name: Shanu Dessai                      House Number : 197                      Age : 57 Gender : Female</p> <p>Photo Available</p>	<p>408</p> <p>BTZ5469424</p> <p>Name : Suchendra Desai                      Fathers Name: Purshottam Desai                      House Number : 197                      Age : 54 Gender : Male</p> <p>Photo Available</p>
<p>409</p> <p>BTZ5469432</p> <p>Name : Shailla Desai                      Husbands Name: Suchendra Desai                      House Number : 197                      Age : 51 Gender : Female</p> <p>Photo Available</p>	<p>410</p> <p>YDX0418749</p> <p>Name : Amber Dessai                      Fathers Name: Shanu Dessai                      House Number : 197                      Age : 26 Gender : Male</p> <p>Photo Available</p>	<p>411</p> <p>YDX0525089</p> <p>Name : SMITH SUCHENDRA DESAI                      Fathers Name: SUCHENDRA DESAI                      House Number : 197                      Age : 19 Gender : Male</p> <p>Photo Available</p>
<p>412</p> <p>BTZ0156034</p> <p>Name : Nalini Desai                      Husbands Name: Nanda Desai                      House Number : 198                      Age : 86 Gender : Female</p> <p>Photo Available</p>	<p>413</p> <p>BTZ0155432</p> <p>Name : Ranjana Desai                      Husbands Name: Mahesh Desai                      House Number : 198                      Age : 76 Gender : Female</p> <p>Photo Available</p>	<p>414</p> <p>YDX0474122</p> <p>Name : Nivedita Desai                      Husbands Name: Dinesh Desai                      House Number : 198                      Age : 76 Gender : Female</p> <p>Photo Available</p>
<p>415</p> <p>BTZ1780675</p> <p>Name : Manoj Desai                      Fathers Name: Nanda Desai                      House Number : 198                      Age : 56 Gender : Male</p> <p>Photo Available</p>	<p>416</p> <p>BTZ5475587</p> <p>Name : Kiran Desai                      Husbands Name: Sandesh Desai                      House Number : 198                      Age : 47 Gender : Female</p> <p>Photo Available</p>	<p>417</p> <p>BTZ1780667</p> <p>Name : Dheeraj Desai                      Fathers Name: Dinesh Desai                      House Number : 198                      Age : 44 Gender : Male</p> <p>Photo Available</p>
<p>418</p> <p>YDX0522086</p> <p>Name : Divyam Dayanand Sawant                      Fathers Name: Dayanand Sawant                      House Number : 198                      Age : 20 Gender : Male</p> <p>Photo Available</p>	<p>419</p> <p>YDX0474114</p> <p>Name : Anil Desai                      Fathers Name: Laxman Desai                      House Number : 199                      Age : 66 Gender : Male</p> <p>Photo Available</p>	<p>420</p> <p>BTZ0155887</p> <p>Name : Jyoti Desai                      Husbands Name: Anil Desai                      House Number : 199                      Age : 58 Gender : Female</p> <p>Photo Available</p>

<p>421</p> <p>BTZ0155523</p> <p>Name : Sharmila Desai Husbands Name : Dinkar Desai House Number : 199 Age : 55 Gender : Female</p> <p>Photo</p> <p>Available</p>	<p>422</p> <p>YDX0474106</p> <p>Name : Dinkar Desai Fathers Name : Laxman Desai House Number : 199 Age : 55 Gender : Male</p> <p>Photo</p> <p>Available</p>	<p>423</p> <p>BTZ0156216</p> <p>Name : Laxmikant Desai Fathers Name : Raghunath Desai House Number : 199 Age : 46 Gender : Male</p> <p>Photo</p> <p>Available</p>
<p>424</p> <p>BTZ0155903</p> <p>Name : Diptesh Naik Desai Fathers Name : Devappa Naik Desai House Number : 199 Age : 44 Gender : Male</p> <p>Photo</p> <p>Available</p>	<p>425</p> <p>BTZ3930757</p> <p>Name : Devesh Desai Fathers Name : Devappa Desai House Number : 199 Age : 42 Gender : Male</p> <p>Photo</p> <p>Available</p>	<p>426</p> <p>ZEV0313957</p> <p>Name : Pratixa Naik Dessai Husbands Name : Diptesh Naik Dessai House Number : 199 Age : 39 Gender : Female</p> <p>Photo</p> <p>Available</p>
<p>427</p> <p>BTZ4959045</p> <p>Name : Prajyot Devappa Dessai Fathers Name : Devappa Desai House Number : 199 Age : 38 Gender : Male</p> <p>Photo</p> <p>Available</p>	<p>428</p> <p>YDX0413989</p> <p>Name : Sailee Desai Fathers Name : Dinkar Desai House Number : 199 Age : 26 Gender : Female</p> <p>Photo</p> <p>Available</p>	<p>429</p> <p>YDX0474007</p> <p>Name : Premabai Desai Husbands Name : Kalu Desai House Number : 200 Age : 84 Gender : Female</p> <p>Photo</p> <p>Available</p>
<p>430</p> <p>YDX0473983</p> <p>Name : Uday Desai Fathers Name : Kalu Desai House Number : 200 Age : 57 Gender : Male</p> <p>Photo</p> <p>Available</p>	<p>431</p> <p>BTZ5452198</p> <p>Name : Trupti Desai Husbands Name : Uday Desai House Number : 200 Age : 48 Gender : Female</p> <p>Photo</p> <p>Available</p>	<p>432</p> <p>YDX0523472</p> <p>Name : Suyash Uday Desai Fathers Name : Uday Desai House Number : 200 Age : 19 Gender : Male</p> <p>Photo</p> <p>Available</p>
<p>433</p> <p>BTZ5450333</p> <p>Name : Subhash Desai Fathers Name : Pandari Desai House Number : 200/A Age : 71 Gender : Male</p> <p>Photo</p> <p>Available</p>	<p>434</p> <p>YDX0353094</p> <p>Name : Shailesh Desai Fathers Name : Pandari Desai House Number : 200/A Age : 69 Gender : Male</p> <p>Photo</p> <p>Available</p>	<p>435</p> <p>YDX0353102</p> <p>Name : Anita Naique Dessai Husbands Name : Seilexa Naique Dessai House Number : 200/A Age : 59 Gender : Female</p> <p>Photo</p> <p>Available</p>
<p>436</p> <p>BTZ0155879</p> <p>Name : Suresh Desai Fathers Name : Pandari Desai House Number : 200/A Age : 57 Gender : Male</p> <p>Photo</p> <p>Available</p>	<p>437</p> <p>YDX0424457</p> <p>Name : Pankaj Desai Fathers Name : Pundalik Desai House Number : 200/A Age : 34 Gender : Male</p> <p>Photo</p> <p>Available</p>	<p>438</p> <p>YDX0499459</p> <p>Name : Anish Dessai Fathers Name : Shailesh Dessai House Number : 200/A Age : 23 Gender : Male</p> <p>Photo</p> <p>Available</p>
<p>439</p> <p>YDX0515411</p> <p>Name : Pushpak Shailesh Desai Fathers Name : Shailesh Desai House Number : 200/A Age : 20 Gender : Male</p> <p>Photo</p> <p>Available</p>	<p>440</p> <p>YDX0473967</p> <p>Name : Mahdev Desai Fathers Name : Pundalik Desai House Number : 200/B Age : 85 Gender : Male</p> <p>Photo</p> <p>Available</p>	<p>441</p> <p>YDX0473959</p> <p>Name : Meena Desai Husbands Name : Mahadev Desai House Number : 200/B Age : 70 Gender : Female</p> <p>Photo</p> <p>Available</p>
<p>442</p> <p>BTZ0067199</p> <p>Name : Sanjay Desai Fathers Name : Mahadev Desai House Number : 200/B Age : 49 Gender : Male</p> <p>Photo</p> <p>Available</p>	<p>443</p> <p>BTZ0156240</p> <p>Name : Dhananjay Dessai Fathers Name : Mahadev Dessai House Number : 200/B Age : 48 Gender : Male</p> <p>Photo</p> <p>Available</p>	<p>444</p> <p>BTZ0155515</p> <p>Name : Abhay Dessai Fathers Name : Mahadev Dessai House Number : 200/B Age : 46 Gender : Male</p> <p>Photo</p> <p>Available</p>
<p>445</p> <p>BGP0175893</p> <p>Name : Gunjan Naik Desai Husbands Name : Shalanth Naik Desai House Number : 201/1 Age : 51 Gender : Female</p> <p>Photo</p> <p>Available</p>	<p>446</p> <p>YDX0427377</p> <p>Name : Vinay Hari Naik Desai Fathers Name : Hari Naik Desai House Number : 201/A Age : 59 Gender : Male</p> <p>Photo</p> <p>Available</p>	<p>447</p> <p>YDX0292912</p> <p>Name : Shalanth Naik Desai Fathers Name : Hari Naik Desai House Number : 201/A Age : 53 Gender : Male</p> <p>Photo</p> <p>Available</p>
<p>448</p> <p>BTZ0155457</p> <p>Name : Shital Desai Fathers Name : Govind Desai House Number : 201/B Age : 43 Gender : Female</p> <p>Photo</p> <p>Available</p>	<p>449</p> <p>YDX0473868</p> <p>Name : Yeshodara Naik Desai Husbands Name : Anand Naik Desai House Number : 201/C Age : 71 Gender : Female</p> <p>Photo</p> <p>Available</p>	<p>450</p> <p>BTZ0156174</p> <p>Name : Milind Desai Fathers Name : Anand Desai House Number : 201/C Age : 44 Gender : Male</p> <p>Photo</p> <p>Available</p>

<p>451</p> <p>BTZ0155473</p> <p>Name : Sheela Desai Husbands Name : Govind Desai House Number : 201/D Age : 75 Gender : Female</p> <p>Photo</p> <p>Available</p>	<p>452</p> <p>BTZ0155614</p> <p>Name : Krishnanand Desai Fathers Name : Sairoba Desai House Number : 201/E Age : 59 Gender : Male</p> <p>Photo</p> <p>Available</p>	<p>453</p> <p>BTZ1780428</p> <p>Name : Kavita Desai Husbands Name : Krishnanand Desai House Number : 201/E Age : 51 Gender : Female</p> <p>Photo</p> <p>Available</p>
<p>454</p> <p>YDX0473769</p> <p>Name : Shashikala Komarpant Husbands Name : Shashikant Komarpant House Number : 205/A Age : 54 Gender : Female</p> <p>Photo</p> <p>Available</p>	<p>455</p> <p>YDX0409425</p> <p>Name : Somesh Komarpant Fathers Name : Shashikant Komarpant House Number : 205/A Age : 27 Gender : Male</p> <p>Photo</p> <p>Available</p>	<p>456</p> <p>YDX0473751</p> <p>Name : Bharati Naik Husbands Name : Balchandra Naik House Number : 207 Age : 70 Gender : Female</p> <p>Photo</p> <p>Available</p>
<p>457</p> <p>BTZ0156158</p> <p>Name : Mahadev Naik Fathers Name : Balchandra Naik House Number : 207 Age : 49 Gender : Male</p> <p>Photo</p> <p>Available</p>	<p>458</p> <p>YDX0292631</p> <p>Name : Vachan Naik Husbands Name : Mahadev Naik House Number : 207 Age : 45 Gender : Female</p> <p>Photo</p> <p>Available</p>	<p>459</p> <p>YDX0292607</p> <p>Name : Umesh Chandiyekar Fathers Name : Krishna Chandiekar House Number : 212 Age : 80 Gender : Male</p> <p>Photo</p> <p>Available</p>
<p>460</p> <p>YDX0292953</p> <p>Name : Priya Chandyeekar Husbands Name : Umesh Chandyeekar House Number : 212 Age : 73 Gender : Female</p> <p>Photo</p> <p>Available</p>	<p>461</p> <p>BTZ0155531</p> <p>Name : Siddesh Chandiekar Fathers Name : Umesh Chandiekar House Number : 212 Age : 48 Gender : Male</p> <p>Photo</p> <p>Available</p>	<p>462</p> <p>YDX0292706</p> <p>Name : Suhasini Naik Husbands Name : Dinanath Naik House Number : 213 Age : 79 Gender : Female</p> <p>Photo</p> <p>Available</p>
<p>463</p> <p>YDX0318279</p> <p>Name : Santosh Naik Fathers Name : Dinanath Naik House Number : 213 Age : 53 Gender : Male</p> <p>Photo</p> <p>Available</p>	<p>464</p> <p>BTZ5445630</p> <p>Name : Pundalik Nagarsekar Fathers Name : Shripad Nagarsekar House Number : 214 Age : 73 Gender : Male</p> <p>Photo</p> <p>Available</p>	<p>465</p> <p>BTZ5445622</p> <p>Name : Shivangi Nagarsekar Husbands Name : Pundalik Nagarsekar House Number : 214 Age : 68 Gender : Female</p> <p>Photo</p> <p>Available</p>
<p>466</p> <p>BTZ1780402</p> <p>Name : Girish Rajadhyaksha Fathers Name : Laxmikant Rajadhyaksha House Number : 218 Age : 50 Gender : Male</p> <p>Photo</p> <p>Available</p>	<p>467</p> <p>YDX0503144</p> <p>Name : Medha Rajadhyaksha Husbands Name : Girish Rajadhyaksha House Number : 218 Age : 45 Gender : Female</p> <p>Photo</p> <p>Available</p>	<p>468</p> <p>YDX0473694</p> <p>Name : Yamuna Sawant Husbands Name : Balkrishna Sawant House Number : 224 Age : 76 Gender : Female</p> <p>Photo</p> <p>Available</p>
<p>469</p> <p>YDX0473686</p> <p>Name : Ashish Sawant Fathers Name : Balkrishna Sawant House Number : 224 Age : 54 Gender : Male</p> <p>Photo</p> <p>Available</p>	<p>470</p> <p>YDX0353250</p> <p>Name : Sandip Nagarsekar Fathers Name : Manguesh Nagarsekar House Number : 225 Age : 68 Gender : Male</p> <p>Photo</p> <p>Available</p>	<p>471</p> <p>YDX0473678</p> <p>Name : Parwati Komarpant Husbands Name : Shiva Komarpant House Number : 226 Age : 68 Gender : Female</p> <p>Photo</p> <p>Available</p>
<p>472</p> <p>YDX0473660</p> <p>Name : Guirish Komarpant Fathers Name : Shiva Komarpant House Number : 226 Age : 48 Gender : Male</p> <p>Photo</p> <p>Available</p>	<p>473</p> <p>BTZ1781160</p> <p>Name : Pramila Komarpant Fathers Name : Shiva Komarpant House Number : 226 Age : 44 Gender : Female</p> <p>Photo</p> <p>Available</p>	<p>474</p> <p>BTZ1780956</p> <p>Name : Kalpana Komarpant Husbands Name : Girish Komarpant House Number : 226 Age : 43 Gender : Female</p> <p>Photo</p> <p>Available</p>
<p>475</p> <p>YDX0421347</p> <p>Name : Shivam Komarpant Fathers Name : Girish Komarpant House Number : 226 Age : 25 Gender : Male</p> <p>Photo</p> <p>Available</p>	<p>476</p> <p>YDX0503151</p> <p>Name : Shweta guirish Komarpant Fathers Name : guirish Komarpant House Number : 226 Age : 24 Gender : Female</p> <p>Photo</p> <p>Available</p>	<p>477</p> <p>DZX4080834</p> <p>Name : Priyanka Dessai Husbands Name : Laxmikant Dessai House Number : 232-A Age : 39 Gender : Female</p> <p>Photo</p> <p>Available</p>
<p>478</p> <p>YDX0390138</p> <p>Name : Agraj Desai Fathers Name : Ganpati Desai House Number : 232/A Age : 29 Gender : Male</p> <p>Photo</p> <p>Available</p>	<p>479</p> <p>YDX0390146</p> <p>Name : Anuj Desai Fathers Name : Ganapati Desai House Number : 232/A Age : 29 Gender : Male</p> <p>Photo</p> <p>Available</p>	<p>480</p> <p>BTZ0340018</p> <p>Name : Rati Komarpant Husbands Name : Rajesh Komarpant House Number : 294 Age : 47 Gender : Female</p> <p>Photo</p> <p>Available</p>

<p>481</p> <p>BTZ3933421</p> <p>Name : Hema Naik Husbands Name: Santosh Naik House Number : 307 Age : 52 Gender : Female</p> <p>Photo Available</p>	<p>482</p> <p>YDX0424440</p> <p>Name : Lekhia Naik Fathers Name: Santosh Naik House Number : 307 Age : 25 Gender : Female</p> <p>Photo Available</p>	<p>483</p> <p>YDX0523498</p> <p>Name : Pritiya Santosh Naik Fathers Name: Santosh Naik House Number : 307 Age : 20 Gender : Female</p> <p>Photo Available</p>
<p>484</p> <p>YDX0385427</p> <p>Name : Supravi Komarpant Fathers Name: Shashikant Komarpant House Number : 312 Age : 30 Gender : Female</p> <p>Photo Available</p>	<p>485</p> <p>YDX0400671</p> <p>Name : Jyoti Bowalkar Fathers Name: Yeshwant Bowalkar House Number : 321 Age : 32 Gender : Female</p> <p>Photo Available</p>	<p>486</p> <p>YDX0507145</p> <p>Name : Pranjali Naik Fathers Name: Prakash Naik House Number : 321 Age : 22 Gender : Female</p> <p>Photo Available</p>
<p>487</p> <p>YDX0495085</p> <p>Name : Devita Khule Fathers Name: Ishwar Khule House Number : 343/2 Age : 23 Gender : Female</p> <p>Photo Available</p>	<p>488</p> <p>YPI0436618</p> <p>Name : Vaishnavi Bolnekar Husbands Name: Dipesh Bolnekar House Number : 346 Age : 36 Gender : Female</p> <p>Photo Available</p>	<p>489</p> <p>YDX0350348</p> <p>Name : Francisco Xavier De'Melo Fathers Name: Damaciano Jose Marta De'Melo House Number : 361 Age : 59 Gender : Male</p> <p>Photo Available</p>
<p>490</p> <p>YDX0285064</p> <p>Name : Aureliano Basil Altanagio D'mello Fathers Name: Damasciano Jose Marta D'mello House Number : 361/1 Age : 53 Gender : Male</p> <p>Photo Available</p>	<p>491</p> <p>YDX0390658</p> <p>Name : Shubham Naik Fathers Name: Bhanudas Naik House Number : 365 Age : 30 Gender : Male</p> <p>Photo Available</p>	<p># 492</p> <p>BTZ0155911</p> <p>Name : Devdatta Mayekar Fathers Name: Ramdas Mayekar House Number : 120/A Age : 46 Gender : Male</p> <p>Photo Available</p>
<p>493</p> <p>YDX0497339</p> <p>Name : Soyale Bandekar Fathers Name: Sanjay Bandekar House Number : 382 Age : 23 Gender : Male</p> <p>Photo Available</p>	<p>494</p> <p>YDX0413997</p> <p>Name : Shavila Hiru Pagi Fathers Name: Hiru Jaiwant Pagi House Number : 393 Age : 26 Gender : Female</p> <p>Photo Available</p>	<p>495</p> <p>YDX0324285</p> <p>Name : Swini Pagui Husbands Name: Somnath Pagui House Number : 393/93 Age : 37 Gender : Female</p> <p>Photo Available</p>
<p>496</p> <p>YDX0401927</p> <p>Name : Lavesh Pagui Fathers Name: Gurudas Pagui House Number : 397/A Age : 30 Gender : Male</p> <p>Photo Available</p>	<p>497</p> <p>YDX0428003</p> <p>Name : Nikhil Pagui Fathers Name: Hiru Jaiwant Pagi House Number : 399 Age : 24 Gender : Male</p> <p>Photo Available</p>	<p>498</p> <p>YDX0331959</p> <p>Name : Vishaka Pagui Husbands Name: Vasu Pagui House Number : 401 Age : 43 Gender : Female</p> <p>Photo Available</p>
<p>499</p> <p>BTZ5451570</p> <p>Name : Deepika Pagi Husbands Name: Deepesh Pagi House Number : 408 Age : 43 Gender : Female</p> <p>Photo Available</p>	<p>500</p> <p>YCC0325597</p> <p>Name : Samita Dessai Husbands Name: Ninad Dessai House Number : 411 Age : 35 Gender : Female</p> <p>Photo Available</p>	<p>501</p> <p>YDX0508457</p> <p>Name : Nischit Dessai Fathers Name: Nilesh Dessai House Number : 411 Age : 21 Gender : Male</p> <p>Photo Available</p>
<p>502</p> <p>BTZ1780865</p> <p>Name : Pradhksha Gosavi Husbands Name: Prasad Gosavi House Number : 421 Age : 48 Gender : Female</p> <p>Photo Available</p>	<p>503</p> <p>YDX0324301</p> <p>Name : Siya Pagi Husbands Name: Rama Pagi House Number : 437 Age : 43 Gender : Female</p> <p>Photo Available</p>	<p>504</p> <p>YDX0380659</p> <p>Name : Ratija Pagi Fathers Name: Raju Pagi House Number : 441 Age : 31 Gender : Female</p> <p>Photo Available</p>
<p>505</p> <p>YDX0394767</p> <p>Name : Sahil Pagui Fathers Name: Madhav Pagui House Number : 454 Age : 29 Gender : Male</p> <p>Photo Available</p>	<p>506</p> <p>YDX0394775</p> <p>Name : Shumbham Kankonkar Fathers Name: Ratnakar Cankonkar House Number : 457 Age : 31 Gender : Male</p> <p>Photo Available</p>	<p>507</p> <p>YDX0514489</p> <p>Name : Sanjana Gadadhar Raut Fathers Name: Gadadhar Raut House Number : H.No.172 Age : 21 Gender : Female</p> <p>Photo Available</p>
<p>508</p> <p>BTZ5450044</p> <p>Name : Sagar Bovalkar Fathers Name: Yeshwant Bovalkar House Number : H.No.828 Age : 39 Gender : Male</p> <p>Photo Available</p>		

509	1	YDX0530592
Name : Mayank Desai Mothers Name : Kiran Desai House Number : 198 Age : 18 Gender : Male		Photo Available

510	1	YDX0530774
Name : Shreeja Bhandari Fathers Name : Deepak Bhandari House Number : 165/1 Age : 19 Gender : Female		Photo Available

SUMMARY OF ELECTORS							
A) NUMBER OF ELECTORS							
		Roll Type	Roll Identification	NUMBER OF ELECTORS			
				Male	Female	Third Gender	Total
I	Mother Roll	Mother Roll	Integrated Electoral Roll based on the Draft Roll of Special Intensive Revision 2026 published on 16-12-2025 and integrated with Additions, Deletions and Modifications carried out during Special Intensive Revision 2026	249	259	0	508
II	1- List of Additions	Supplement 1	Special Intensive Revision 2026	1	1	0	2
III	2- List of Deletions	Supplement 1	Special Intensive Revision 2026	3	3	0	6
IV	Difference due to modification in Gender field			0	0	0	0
Net Elector in this Roll after this Revision (I+II-III+IV)				247	257	0	504
B) NUMBER OF MODIFICATIONS							
Roll Type		Roll Identification		NUMBER OF MODIFICATIONS			
Supplement 1		Special Intensive Revision 2026		3			

Signature of Electoral Registration Officer

E-Expired S-Shifted/Change of Residence R-Duplicate M-Missing Q-Disqualified